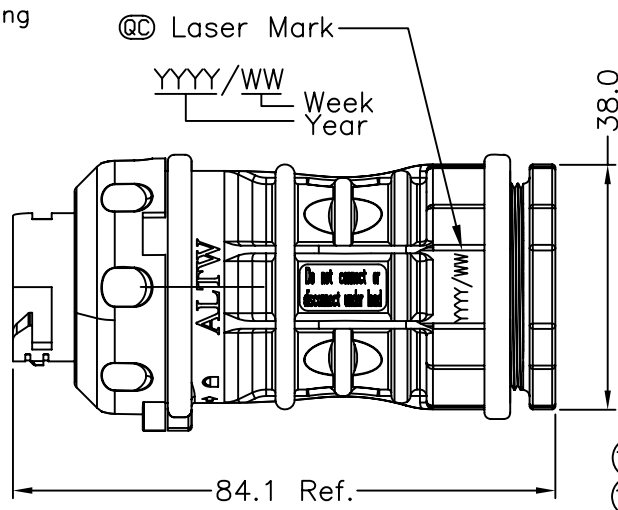
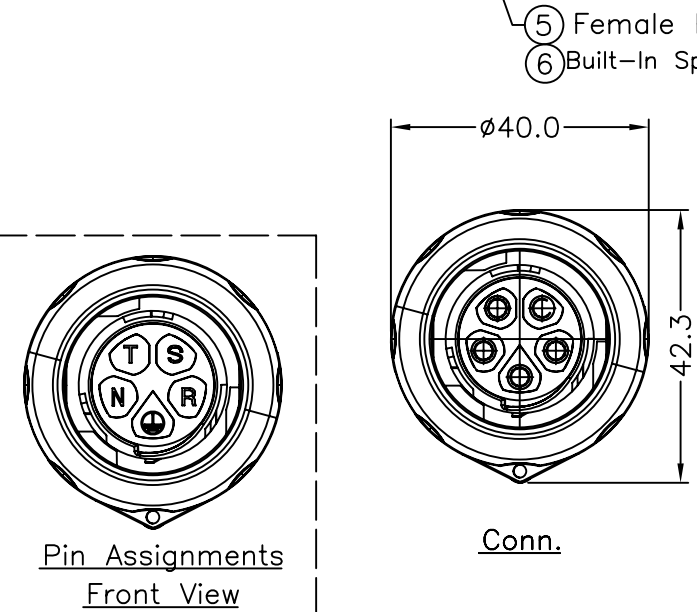
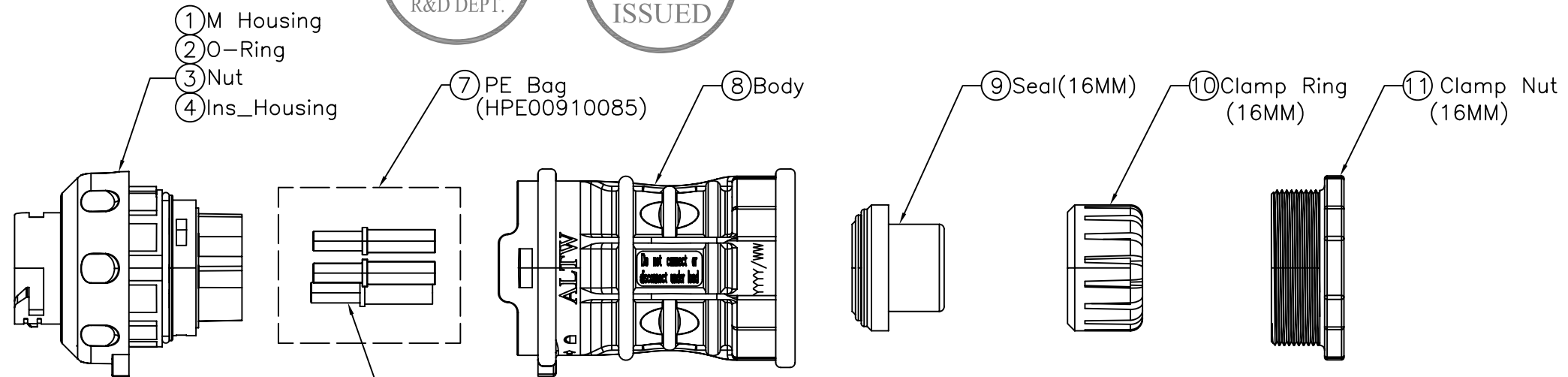
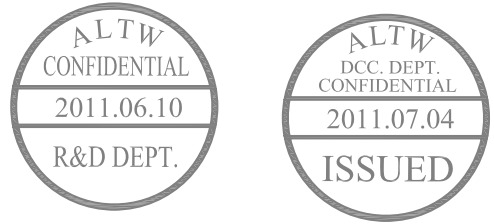


5	6	7	8
REV.	ECN NO.	DATE	SIGN



- Note:
- * @@Important Dimensions To Check.(重點檢查尺寸)
 - * Voltage (電壓) : AC 660V ; DC 1000V
 - * Current (電流) : 25A
 - * Please refer to manual for Ass'y instruction (使用方式請參閱組裝說明書)
 - * Standard (認證) :ULXXXXX ;CSAXXXX; TUVXXXXX
 - * Waterproof Rate(防水等級) : IP68_3M6H(Mating對接)
 - * Male Housing(公膠芯) : m-PPE(F1),Black (黑)
 - * Female Pin(母端子) : Copper(銅),Tin Plated(鍍錫)
 - * O-ring(□型環) : Silicone(矽樹脂),Gray (灰)
 - * Cable OD range(線材範圍) : 16mm~13mm
 - * Wire Size(導體尺寸) : 12AWG
 - * Flame Class(防火等級) : UL94V-0
 - (13)* One Set Unassembled in one PE Bag.
 - (12)* One Set Ass'y Instructions in one PE Bag. (每包袋子中含有未組裝零件, 組裝說明書)

UNIT:mm		TITLE PV Connector 5Pin Cable(16MM) M CON, F PIN
TOLERANCE		SCALE Free SHEET 1 OF 1
.X ±0.25		REV. A SIZE A4 @C :Inspection Item
.XX ±0.1		
.XXX ±0.05		
ANGLES ±1°		

Amphenol LTW
安費諾亮泰企業股份有限公司

ITEM NO LTWPHW-05BMFC-LL8001	DRAWN BY Micky	DATE 2011/06/10
DWG NO LTWPHW-05BMFC-LL8001	CHECKED BY Doreen	DATE 2011/06/10
CUSTOMER	APPROVED BY Victor	DATE 2011/06/10

THIS DOCUMENT IS SUBJECT TO CHANGE WITHOUT NOTICE. IT IS CONFIDENTIAL AND A PROPERTY OF Amphenol LTW. DISCLOSED TO THIRD PARTY HAS TO BE AUTHORIZED BY Amphenol LTW.