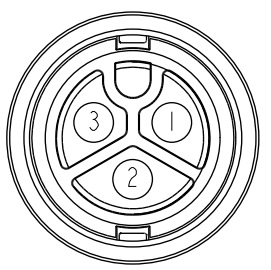
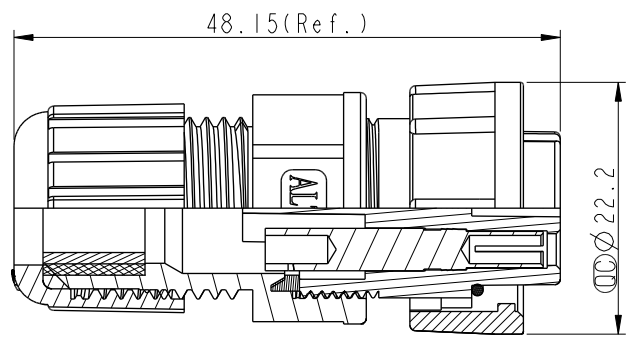
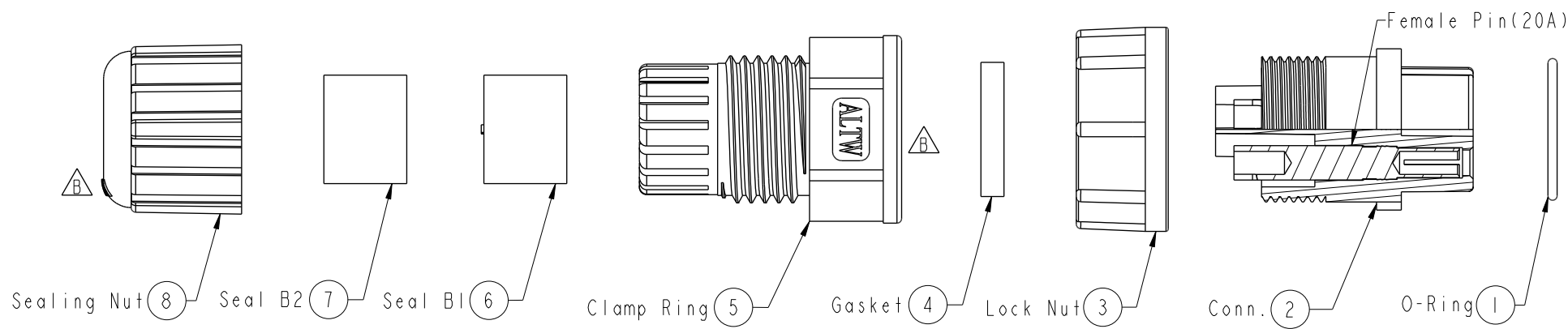
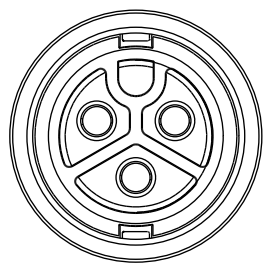


THIS DOCUMENT IS SUBJECT TO CHANGE WITHOUT NOTICE. IT IS CONFIDENTIAL AND A PROPERTY OF AMPHENOL LTW. DISCLOSURE TO THIRD PARTY HAS TO BE AUTHORIZED BY AMPHENOL LTW.

REV.	ECN NO.	DATE	SIGN	DESCRIPTION
A	Initial Release	2010/08/10	Aric	Change Rev.01 To Rev.A
B	LEN1490384	2014/09/20	Lu Di	Update Logo
C	C201856	2020/11/25	Vicky	△C *2



Pin Assignments
Front View



- △ Note:
- * Ⓞ Important Dimensions To Check
 - * Waterproof Rate: IP67, Mated
 - * Housing: Thermoplastic, Black
 - * Female Pin: Copper Alloy, Gold Plated
 - * O-Ring: Rubber, Gray
 - * Lock Nut: Thermoplastic, Black
 - * Gasket: Rubber, Gray
 - * Clamp Ring: Thermoplastic, Black
 - * Sealing Nut: Thermoplastic, Black
 - * Seal B1 For Cable OD: $\varnothing 7.5\text{mm} \sim 9.5\text{mm}$
 - * Seal B2 For Cable OD: $\varnothing 4.5\text{mm} \sim 7.5\text{mm}$
 - * One Set Unassembled In One PE Bag
 - * UL94V-0 rated materials

UNIT:mm		
TOLERANCE		
.X	± 0.25	
.XX	± 0.1	
.XXX	± 0.05	
ANGLES	$\pm 1^\circ$	

TITLE PWR, 20A, 03P, CABLE W/O SR F, F, FI SOLDER, 2LOCK △C			
SCALE 3:2	SIZE A4	SHEET 1 OF 1	
REV. C	WC-REV. A.4	Ⓞ: Inspection item	

Amphenol LTW
安費諾亮泰企業股份有限公司

ITEM NO PWC-03BFFA-LL7002	DRAWN BY Lu Di	DATE 2014/09/20
DWG NO PWC-03BFFA-LL7002	CHECKED BY Mafei	DATE 2014/09/20
CUSTOMER ALTW	APPROVED BY Jerry	DATE 2014/09/20