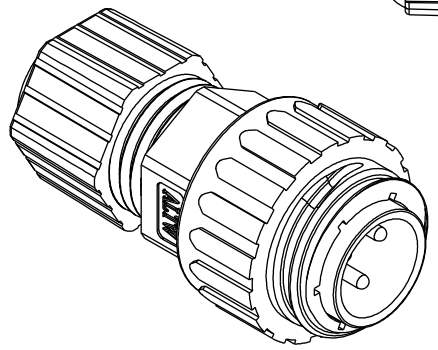
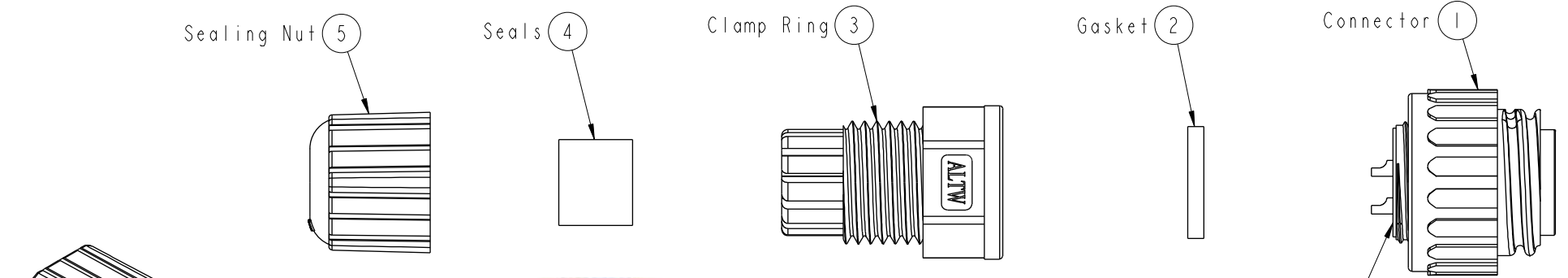
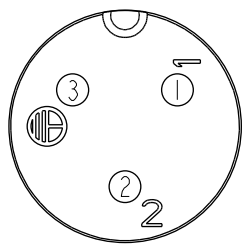


THIS DOCUMENT IS SUBJECT TO CHANGE WITHOUT NOTICE. IT IS CONFIDENTIAL AND A PROPERTY OF Amphenol LTW. DISCLOSURE TO THIRD PARTY HAS TO BE AUTHORIZED BY Amphenol LTW.

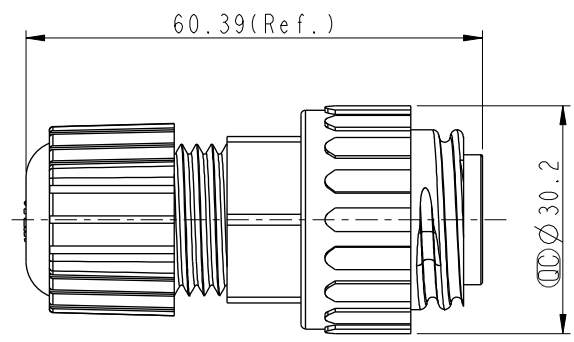
REV.	ECN NO.	DATE	SIGN	DESCRIPTION
B	LEN-870144	2008/07/24	Yuri	Update Drawing
C	LEN1741294	2017/04/19	Vicky	Update Logo



With Liquid Glue



Pin Assignments
Front View



- Note:
- * \varnothing Important Dimension
 - * Waterproof Rate: IP67
 - * Seals for Cable OD: \varnothing 5.5mm~ \varnothing 10.8mm
(防水墊圈限用線徑: \varnothing 5.5mm~ \varnothing 10.8mm)
 - * One Set Unassembled in One LTW Sealed Bag
(每一組未組裝, 放置於一個 Amphenol LTW 封口袋)
 - * Housing: Nylon+GF, Black
 - * Male Pin: Copper Alloy, Gold Plated
 - * Screw Nut: Nylon+GF, Black
 - * $\triangle B$ Gasket: Silicone, Black
 - * Clamp Ring: Nylon, Black
 - * Seals: EPDM, Black
 - * Sealing Nut: Nylon, Black
 - * Liquid Glue: Claer

UNIT:mm TOLERANCE .X ±0.25 .XX ±0.1 .XXX ±0.05 ANGLES ±1°	TITLE Power, Assy Screw 3Pin M Conn M Pin		Amphenol LTW 安費諾亮泰企業股份有限公司		ITEM NO PWF-03BMM-SL7001	DRAWN BY Vicky	DATE 2017-04-19
	SCALE 1:1	SIZE A4			SHEET 1 OF 1	DWG NO PWF-03BMM-SL7001	CHECKED BY Rita
	REV. C	WC-REV. A.3	\varnothing : Inspection item	CUSTOMER ALTW	APPROVED BY Max	DATE 2017-04-19	