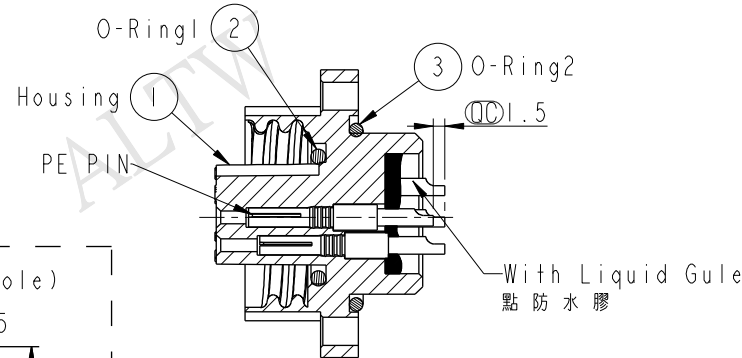
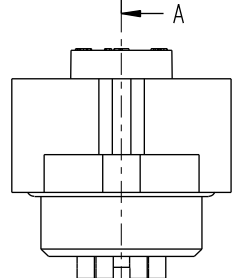
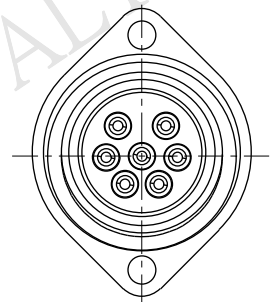
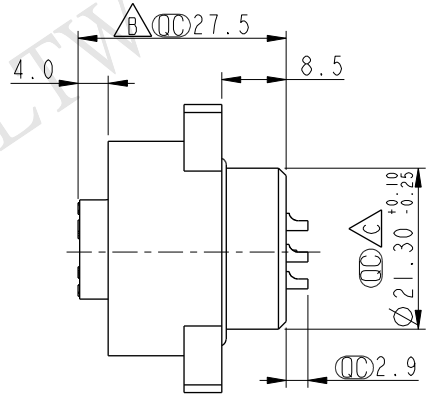
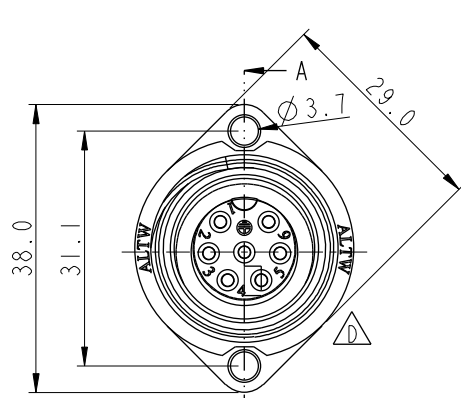
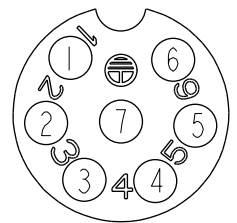


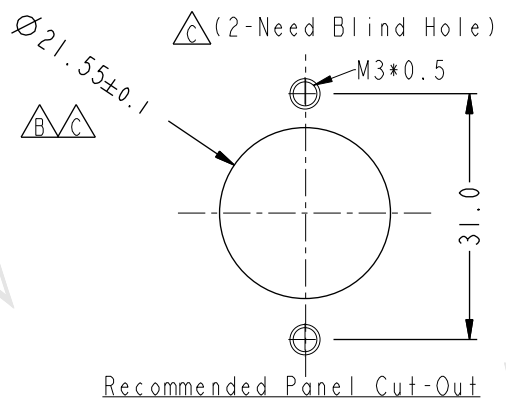
REV.	ECN NO.	DATE	SIGN	DESCRIPTION
B	LEN1130428	2011/03/11	Jiang Jun Hua	Delete Dimension 28.4 & Modify 21.55 to 21.6
C	LEN1190161	2011/08/26	Tony	Delete Dimension & Note
D	LEN15A0438	2015/10/26	Ruru	Change Logo



Section A-A



Pin Assignments Front View 前視圖



Recommended Panel Cut-Out

- Note:
- \*  $\varnothing$  Important Dimension
  - \* Waterproof Rate: IP67
  - \* One Set in One LTW Sealed Bag (每一組裝，放置於一個 LTW 封口袋)
  - \* Housing: Nylon+GF, Black
  - \* Female Pin: Copper Alloy, Gold Plated
  - \* O-Ring1: EPDM 70, Black
  - \* O-Ring2: Silicone 60, Gray
  - \* Liquid Glue: Clear

UNIT:mm TOLERANCE .X ±0.25 .XX ±0.1 .XXX ±0.05 ANGLES ±1°	TITLE Power, Panel Screw 7P F Conn F Pin		<b>Amphenol LTW</b> 安費諾亮泰企業股份有限公司		ITEM NO PWE-07PFFS-SC7001	DRAWN BY Ruru	DATE 2015-10-26
	SCALE 1:1	SIZE A4			SHEET 1 OF 1	DWG NO PWE-07PFFS-SC7001	CHECKED BY Rtia
	REV. D	WC-REV. A.5	QC: Inspection item	CUSTOMER ALTW	APPROVED BY Lisa	DATE 2015-10-26	

THIS DOCUMENT IS SUBJECT TO CHANGE WITHOUT NOTICE. IT IS CONFIDENTIAL AND A PROPERTY OF AMPHENOL LTW. DISCLOSURE TO THIRD PARTY HAS TO BE AUTHORIZED BY AMPHENOL LTW.