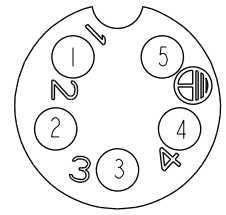
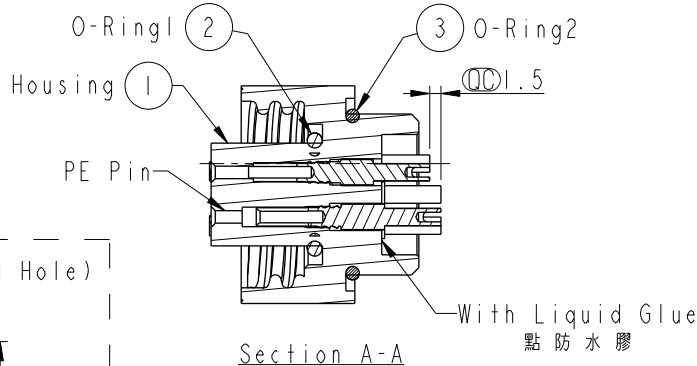
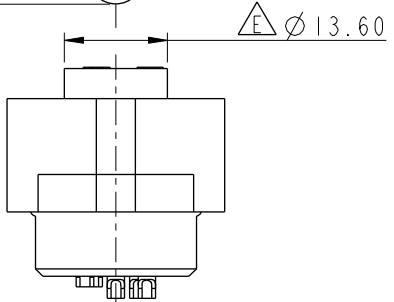
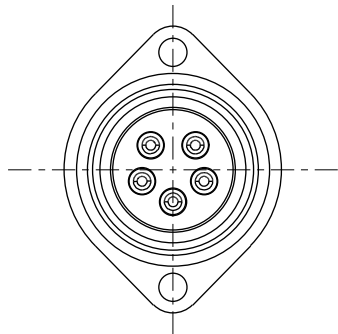
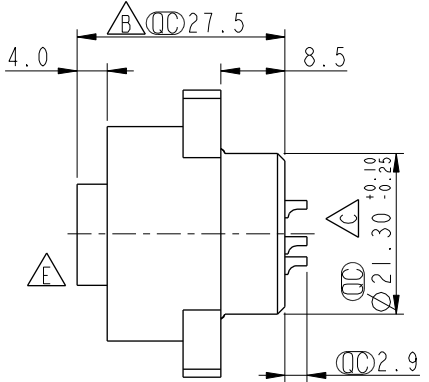
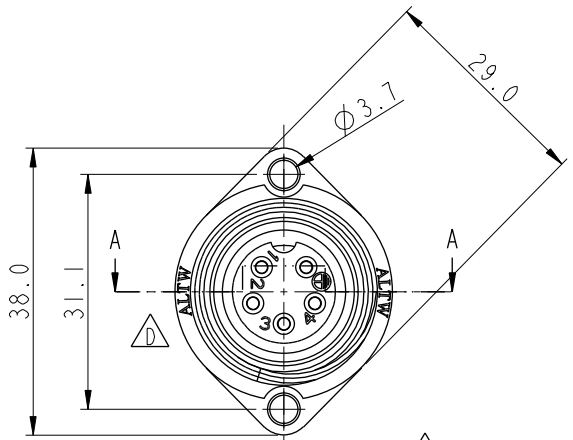
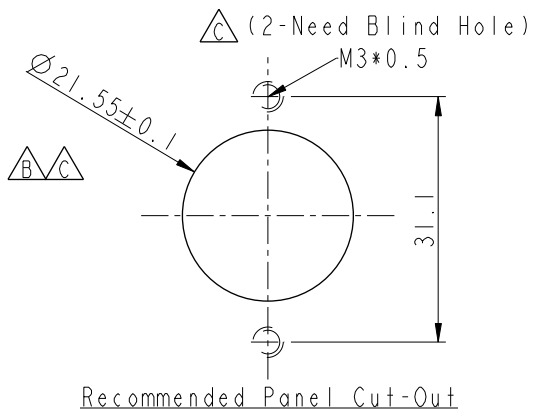


REV.	ECN NO.	DATE	SIGN	DESCRIPTION
C	LEN1190157	2011/08/26	Tony	Modify Dimension & Note
D	LEN15A0428	2015/10/16	Ruru	Change Logo
E	LEN1750398	2017/05/19	Chingmei	Change Dimension Location.



Pin Assignments
Front View 前視圖

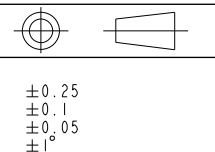


Recommended Panel Cut-Out

- Note:
- * \varnothing Important Dimension
 - * Waterproof Rate: IP67
 - * One Set in One LTW Sealed Bag (每一組裝, 放置於一個 LTW 封口袋)
 - * Housing: Nylon+GF, Black
 - * Female Pin: Copper Alloy, Gold Plated
 - * O-Ring1: EPDM 70, Black
 - * O-Ring2: Silicone 60, Gray
 - * Liquid Glue: Clear

UNIT: mm

TOLERANCE	
.X	±0.25
.XX	±0.1
.XXX	±0.05
ANGLES	±1°



TITLE Power, Panel Screw 5P F Conn F Pin			
SCALE 1:1	SIZE A4	SHEET 1 OF 1	
REV. E	WC-REV. A.5	\varnothing : Inspection item	

Amphenol LTW
安費諾亮泰企業股份有限公司

ITEM NO. PWE-05PFFS-SC7001	DWG NO. PWE-05PFFS-SC7001	CUSTOMER ALTW
-------------------------------	------------------------------	------------------

DRAWN BY Chingmei	CHECKED BY Neo	APPROVED BY Max
----------------------	-------------------	--------------------

DATE 2017-05-19	DATE 2017-05-19	DATE 2017-05-19
--------------------	--------------------	--------------------

THIS DOCUMENT IS SUBJECT TO CHANGE WITHOUT NOTICE. IT IS CONFIDENTIAL AND A PROPERTY OF Amphenol LTW. DISCLOSURE TO THIRD PARTY HAS TO BE AUTHORIZED BY Amphenol LTW.