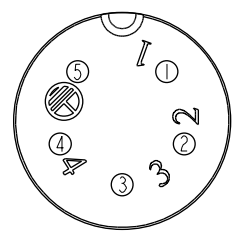
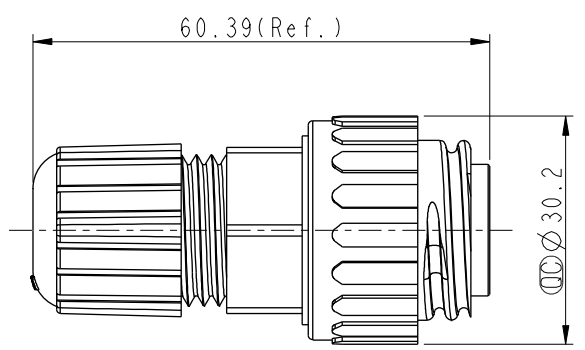
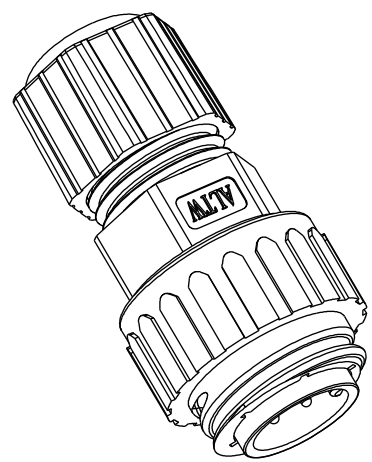
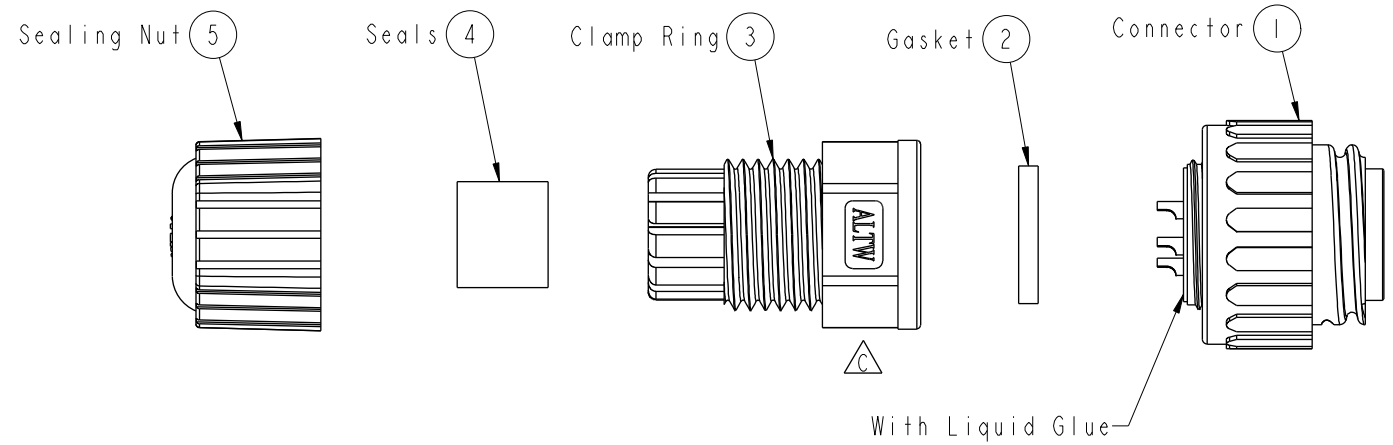


THIS DOCUMENT IS SUBJECT TO CHANGE WITHOUT NOTICE. IT IS CONFIDENTIAL AND A PROPERTY OF Amphenol LTW. DISCLOSURE TO THIRD PARTY HAS TO BE AUTHORIZED BY Amphenol LTW.

REV.	ECN NO.	DATE	SIGN	DESCRIPTION
B	LEN-870138	2008/07/24	Yuri	Update Drawing
C	LEN1741289	2017/04/17	Vicky	Update Logo

ALTW
CONFIDENTIAL
 2017-04-17
R&D DEPT.



Pin Assignments
Front View

ALTW
DCC. DEPT.
CONFIDENTIAL
 2017.04.26
ISSUED

- Note:
- * \varnothing Important Dimension
 - * Waterproof Rate: IP67
 - * Seals for Cable OD: $\varnothing 5.5\text{mm} \sim \varnothing 10.8\text{mm}$
(防水墊圈限用線徑: $\varnothing 5.5\text{mm} \sim \varnothing 10.8\text{mm}$)
 - * One Set Unassembled in One LTW Sealed Bag
(每一組未組裝, 放置於一個 Amphenol LTW 封口袋)
 - * Housing: Nylon+GF, Black
 - * Male Pin: Copper Alloy, Gold Plated
 - * Screw Nut: Nylon+GF, Black
 - * $\triangle B$ Gasket: Silicone, Black
 - * Clamp Ring: Nylon, Black
 - * Seals: EPDM, Black
 - * Sealing Nut: Nylon, Black
 - * Liquid Glud :Claer

UNIT:mm TOLERANCE .X ±0.25 .XX ±0.1 .XXX ±0.05 ANGLES ±1°	TITLE Power, Assy Screw 5Pin M Conn M Pin			Amphenol LTW 安費諾亮泰企業股份有限公司		ITEM NO PWE-05BMMMA-SL7001	DRAWN BY Vicky	DATE 2017-04-17
	SCALE 1:1	SIZE A4	SHEET 1 OF 1			DWG NO PWE-05BMMMA-SL7001	CHECKED BY Rita	DATE 2017-04-17
	REV. C	WC-REV. A.5	\varnothing Inspection item	CUSTOMER ALTW	APPROVED BY Max	DATE 2017-04-17		
						8	FMM10702-01-02A1	