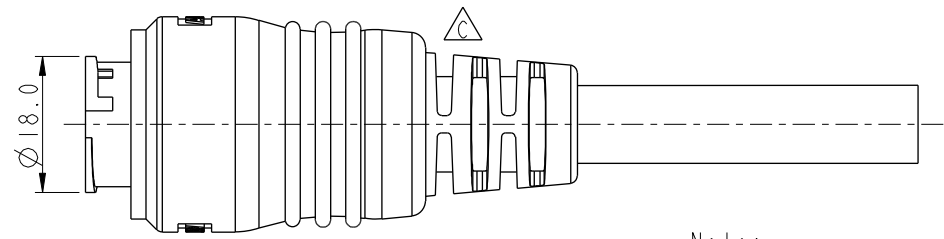
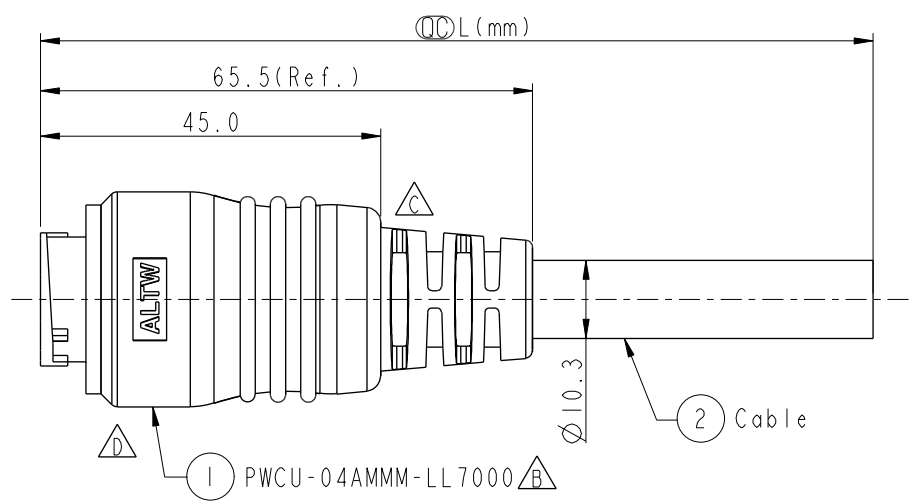
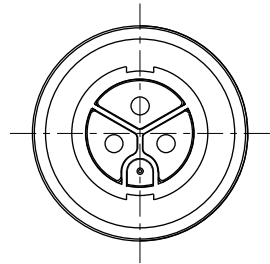


THIS DOCUMENT IS SUBJECT TO CHANGE WITHOUT NOTICE. IT IS CONFIDENTIAL AND A PROPERTY OF Amphenol LTW. DISCLOSURE TO THIRD PARTY HAS TO BE AUTHORIZED BY Amphenol LTW.

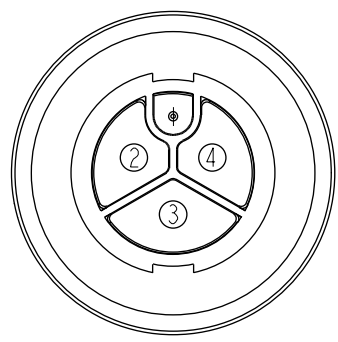
REV.	ECN NO.	DATE	SIGN	DESCRIPTION
B	LEI280084-087	2012/08/03	Yulong	Change Product Code
C	LENI2A0087~90	2012/10/18	Tao-Cheng	Update SR
D	LENI770105~08	2017/06/27	Ruru	Change Logo



PWCU-04AMMM-LL7BXX

XX: 01~99M
 01: 01Meter
 02: 02Meters
 ...
 99: 99Meters
 Cable Length(L): 01~99Meters

- Note:
- * $\text{\textcircled{L}}$ Important Dimension To Check
 - * Waterproof Rate: IP67 (Mated)
 - * Connector: Nylon+GF, Black
 - * Male Pin: Copper Alloy, Gold Flash
 - * Cable: TC-ER, 14AWG*3C+16AWG*1C PVC Jacket, OD=10.3mm, Black
 - * Cable Length Tolerance: 01M±40mm
 02M~05M: ±60mm
 06M~10M: ±100mm
 11M~30M: ±200mm
 31M~99M: ±500mm



Pin Assignments
Front View

4	White (14AWG)	白
3	Green (14AWG)	綠
2	Black (14AWG)	黑
1	Red (16AWG)	紅
Conn.	Wire Color	Pin Out

UNIT:mm		
TOLERANCE		
.X	±0.25	
.XX	±0.1	
.XXX	±0.05	
ANGLES	±1°	

TITLE Power, Cable Lock 4Pin M Conn. M Pin (2A+20A)			
SCALE 1:1	SIZE A4	SHEET 1 OF 1	
REV. D	WC-REV. A.1	$\text{\textcircled{L}}$: Inspection item	

Amphenol LTW
 安費諾亮泰企業股份有限公司

ITEM NO	DRAWN BY Ruru	DATE 2017-06-27
DWG NO PWCU-04AMMM-LL7BXX	CHECKED BY Rita	DATE 2017-06-27
CUSTOMER ALTW	APPROVED BY Max	DATE 2017-06-27