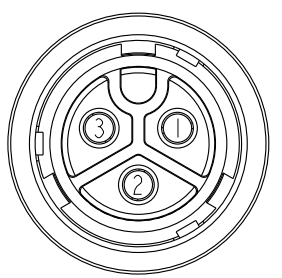
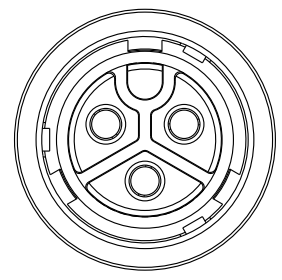
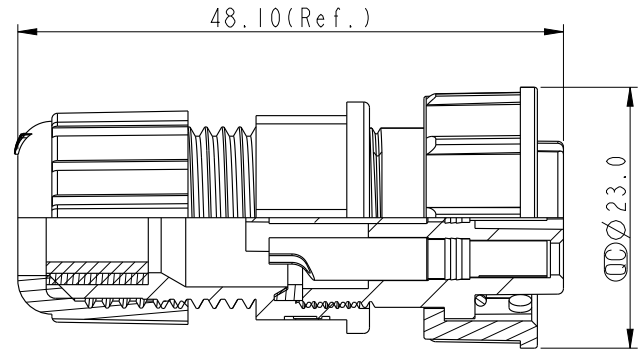
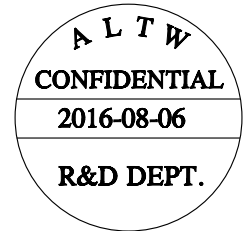
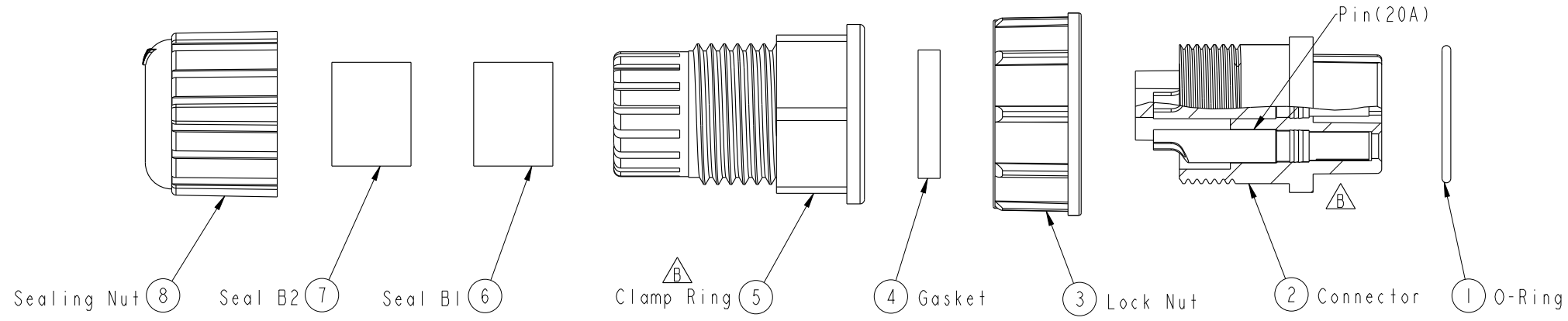


THIS DOCUMENT IS SUBJECT TO CHANGE WITHOUT NOTICE. IT IS CONFIDENTIAL AND A PROPERTY OF AMPHENOL LTW. DISCLOSURE TO THIRD PARTY HAS TO BE AUTHORIZED BY AMPHENOL LTW.

REV.	ECN NO.	DATE	SIGN	DESCRIPTION
A	Initial Release	2014/09/18	Victor	Change Rev.01 to Rev.A
B	LE31680526	2016/08/06	Joyy	Modify The Material Of The Clamp Ring



Pin Assignments  
Front View

- Notes:
- \*  $\varnothing$  Important Dimensions To Check.
  - \* Waterproof Rate: IP67.
  - \* Housing: Nylon+GF, Black.
  - \* Female Pin: Copper Alloy, Gold Plated.
  - \* O-Ring: Silicon, Gray.
  - \* Lock Nut: Nylon+GF, Black.
  - \* Gasket: Silicon, Gray.
  - \*  $\triangle B$  Clamp Ring: Nylon66, Black.
  - \* Sealing Nut: Nylon+GF, Black.
  - \* Seal B1 For Cable OD:  $\varnothing$ 7.6mm~9.6mm.
  - \* Seal B2 For Cable OD:  $\varnothing$ 4.0mm~7.6mm.
  - \* One Set Unassembled In One PE Bag

UNIT:mm		
TOLERANCE		
±0.5 mm		

TITLE POWER ASSY 3KEY 3 PIN F CONN F PIN			
SCALE 1:1	SIZE A4	SHEET 1 OF 1	
REV. B	WC-REV. A.3	$\varnothing$ : Inspection item	

**Amphenol LTW**  
安費諾亮泰企業股份有限公司

ITEM NO. PWC-03BFFA-TL7001	DRAWN BY Joyy	DATE 2016-08-05
DWG NO. PWC-03BFFA-TL7001	CHECKED BY Ma Fei	DATE 2016-08-05
CUSTOMER ALTW	APPROVED BY Jerry	DATE 2016-08-05