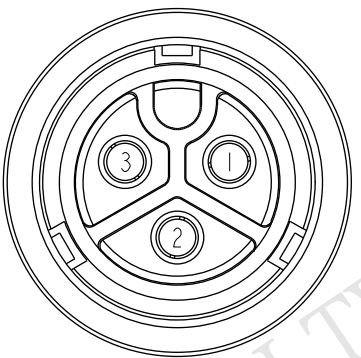
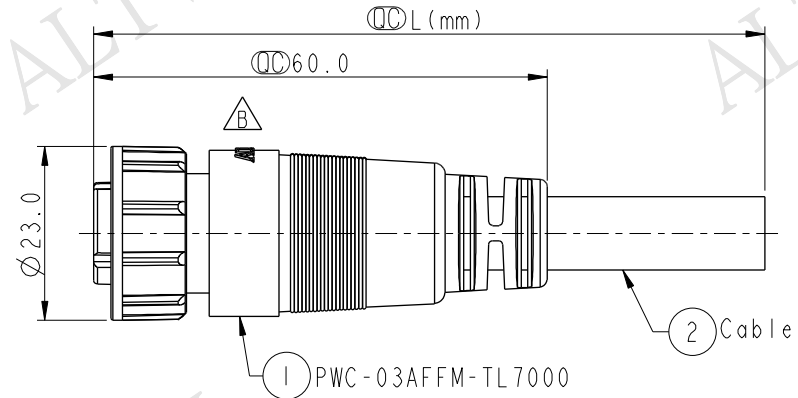
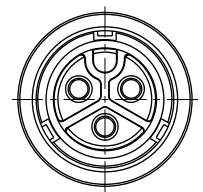
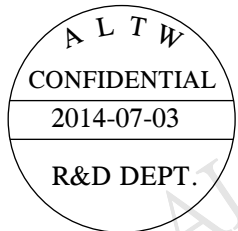


THIS DOCUMENT IS SUBJECT TO CHANGE WITHOUT NOTICE. IT IS CONFIDENTIAL AND A PROPERTY OF Amphenol LTW. DISCLOSURE TO THIRD PARTY HAS TO BE AUTHORIZED BY Amphenol LTW.

REV.	ECN NO.	DATE	SIGN	DESCRIPTION
A		2012/11/29	Tao-Cheng	Change Rev.01 To Rev.A
B	LEN1480254~257	2014/07/03	Sam	Change Logo.



Pin Assignment Front View

3	White (14AWG)	白
2	Green (14AWG)	綠
1	Black (14AWG)	黑
Conn	Wire Color	Pin Out

PWC-03AFFM-TL7BXX

- XX:01~99Meters
- 01:01Meter
- 02:02Meters
- ...
- 99:99Meters

- Note:
- * \varnothing Important Dimension To Check
 - * Waterproof Rate: IP67 (Mated)
 - * Connector: Nylon+GF, Black
 - * Female Pin: Copper Alloy, Gold Flash
 - * O-Ring: Silicone, Gray
 - * Lock Nut: Nylon+GF, Black
 - * Cable: TC-ER 14AWG*3C
PVC Jacket, OD=9.7mm, Black
 - * Cable Length Tolerance: 01M:±40mm
02M~05M:±60mm
06M~10M:±100mm
11M~30M:±200mm
31M~99M:±500mm

UNIT:mm		
TOLERANCE	±0.5 mm	

TITLE Power Molding 3Key 3Pin F Conn F Pin 20Amps		
SCALE 1:1	SIZE A4	SHEET 1 OF 1
REV. B	WC-REV. A.4	\varnothing : Inspection item

Amphenol LTW
安費諾亮泰企業股份有限公司

ITEM NO	DRAWN BY Sam	DATE 2014-07-03
DWG NO PWC-03AFFM-TL7BXX	CHECKED BY Vicky	DATE 2014-07-03
CUSTOMER ALTW	APPROVED BY Rita	DATE 2014-07-03