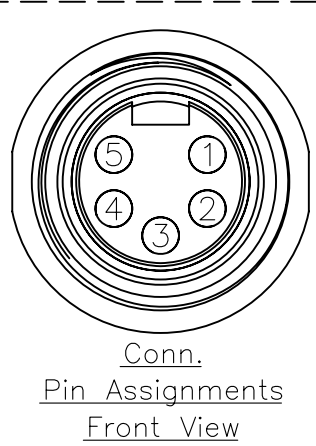
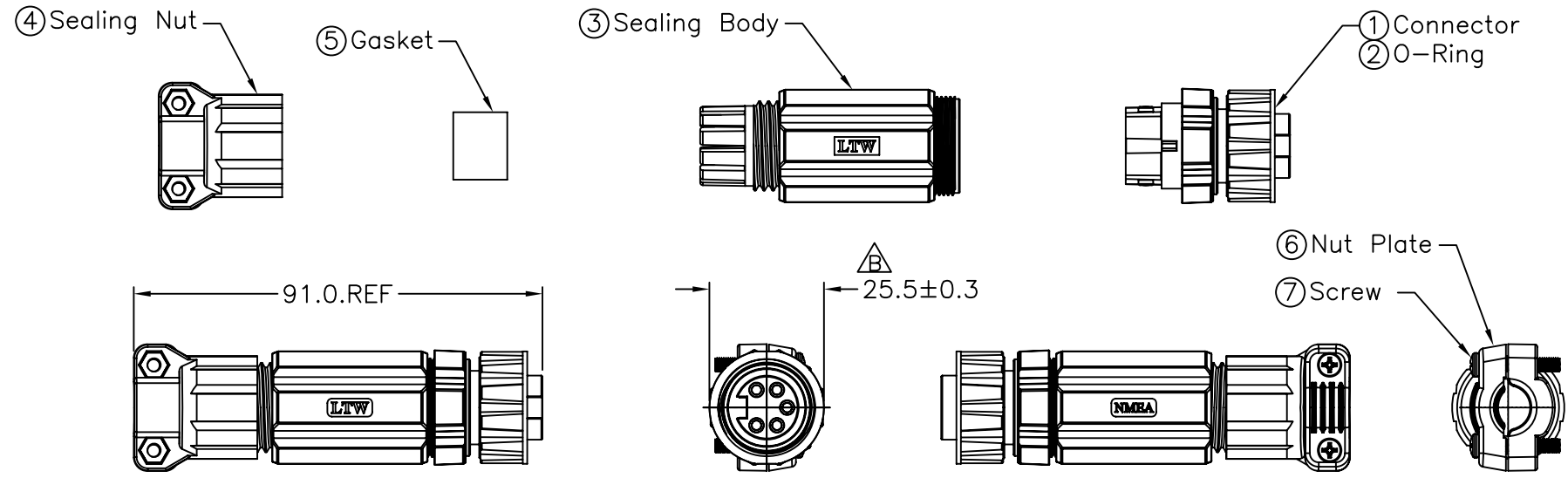


REV. B	ECN NO. LEN1160060	DATE 2011/03/04	SIGN Doreen	DESCRIPTION Change Dimension View.
--------	--------------------	-----------------	-------------	------------------------------------

THIS DOCUMENT IS SUBJECT TO CHANGE WITHOUT NOTICE. IT IS CONFIDENTIAL AND A PROPERTY OF Amphenol LTW. DISCLOSURE TO THIRD PARTY HAS TO BE AUTHORIZED BY Amphenol LTW.



Conn.  
Pin Assignments  
Front View

5	NET-L	Signal	Blue 藍	(18AWG)
4	NET-H	Signal	White 白	(18AWG)
3	NET-C	Power	Black 黑	(15AWG)
2	NET-S	Power	Red 紅	(15AWG)
1	Shield	Drain	Bare	(18AWG)
Conn. Name		Pair	Wire Color For User	



- Note:
- \* Ⓞ Important Dimension.
  - \* Waterproof Rate : IP67
  - \* Connector: Nylon+GF, Black
  - \* Pin: Copper Alloy,Gold Plated
  - \* O-Ring 1: Silicone, Gray.
  - \* O-Ring 2: Silicone, Gray.
  - \* Holder: Nylon+GF, Black.
  - \* Gasket: Silicone, Black.
  - \* Sealing Nut: Nylon+GF, Black.
  - \* Nut: ZINC,Nickel Plated
  - \* Seals For Cable OD  $\phi 8\text{mm} \sim \phi 12.2\text{mm}$
  - \* 使用溫度 :  $-20^{\circ}\text{C} \sim 70^{\circ}\text{C}$

UNIT:mm	
TOLERANCE	
.X	±0.25
.XX	±0.1
.XXX	±0.05
ANGLES	±1°

TITLE NMEA2000 Mini-C FEMALE SCREW-IN ASSEMBLY	
SCALE Free	SHEET 1 OF 1
REV. B	SIZE A4
Ⓞ :Inspection Item	

**Amphenol LTW**  
安費諾亮泰企業股份有限公司

ITEM NO LTWUMN-05BFFB-SL7001
DWG NO LTWUMN-05BFFB-SL7001
CUSTOMER

DRAWN BY Doreen	DATE 2011/03/04
CHECKED BY Winnie	DATE 2011/03/04
APPROVED BY Kevin	DATE 2011/03/04