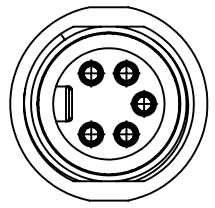
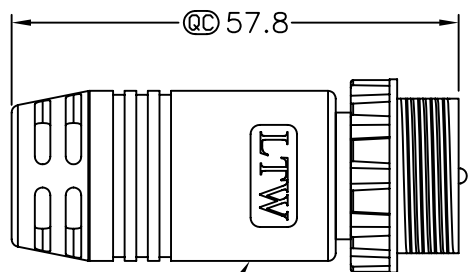
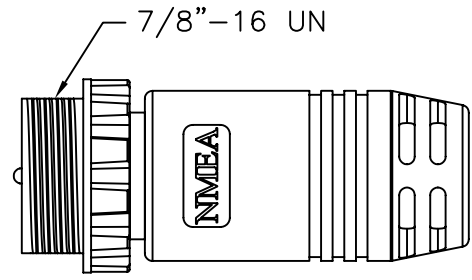


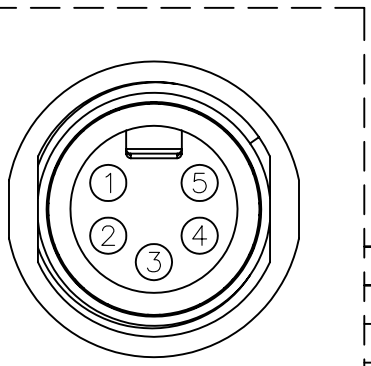
REV. A	ECN NO.	DATE	SIGN	DESCRIPTION
		2009/04/07	Doreen	Change REV.02 to REV.A



Conn.



Inner Mold (3)
 Outer Mold (4)
 Color: Black
 (1) Connector
 (2) Nut



Pin Assignments
Front View

5	Resistor
4	
3	NC
2	NC
1	NC
Conn.	Function

- Note:
- * @C Important Dimension.
 - * Waterproof Rate: IP68
 - * Connector: Black, PU
 - * Nut: ZN-ZDC-3, Nickel Plated
 - * Male Pin: Copper Alloy, Gold Plated
 - (5) * Resistor: 1/4W, 120Ω ± 1%

UNIT:mm	TITLE NMEA Mini M Conn M Pin Resistor		<h1>LTW</h1> <p>亮泰企業股份有限公司</p>	ITEM NO LTWUMN-05AMMT-SL8001	DRAWN BY Doreen	DATE 2009/04/07
TOLERANCE ±0.5 mm	SCALE Free	SHEET 1 OF 1		DWG NO LTWUMN-05AMMT-SL8001	CHECKED BY Kathy	DATE 2009/04/09
REV. A	SIZE A4	@C :Inspection Item		CUSTOMER	APPROVED BY Yitung	DATE 2009/04/09
1	2	3	4	5	7	8 QP02C-01-01A2

THIS DOCUMENT IS SUBJECT TO CHANGE WITHOUT NOTICE. IT IS CONFIDENTIAL AND A PROPERTY OF LTW. DISCLOSURE TO THIRD PARTY HAS TO BE AUTHORIZED BY LTW.