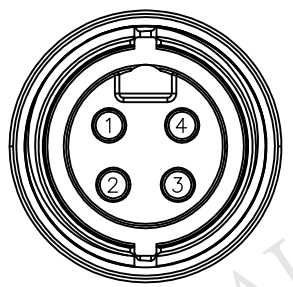
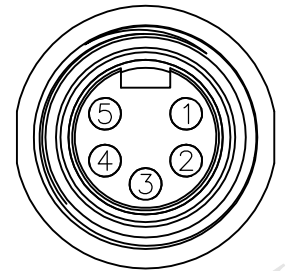


REV.	ECN NO.	DATE	SIGN	DESCRIPTION
A	Initial Release	2009/09/23	Doreen	Change REV.02 to REV.A
B	LE317C0074	2017/12/21	Tracy Hsu	Modify Label 1 Material
C	LE31870014	2018/06/27	Tracy Hsu	Modify Upper Case Material

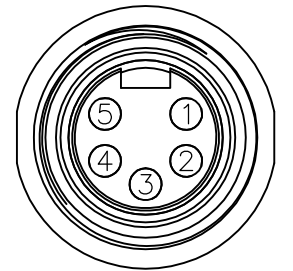
THIS DOCUMENT IS SUBJECT TO CHANGE WITHOUT NOTICE. IT IS CONFIDENTIAL AND A PROPERTY OF AMPHENOL LTW. DISCLOSURE TO THIRD PARTY HAS TO BE AUTHORIZED BY AMPHENOL LTW.



Conn.1  
Pin Assignments  
Front View

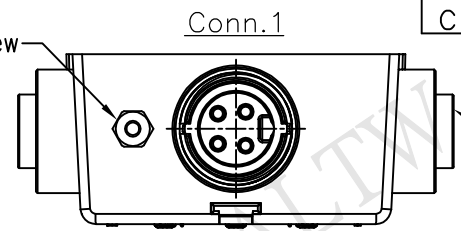


Conn.2  
Pin Assignments  
Front View



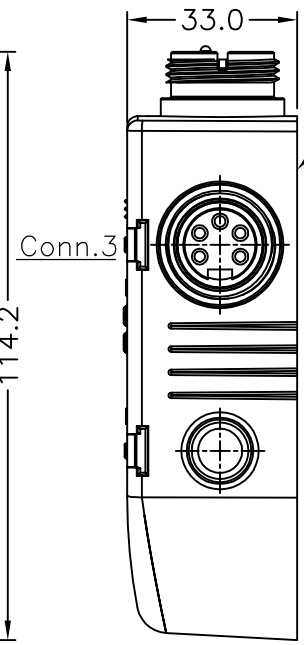
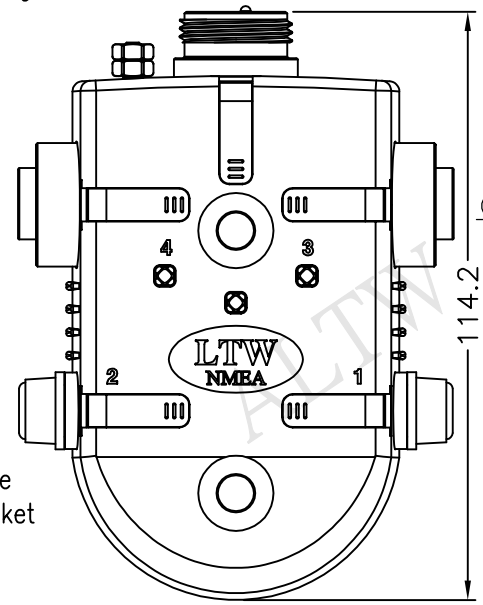
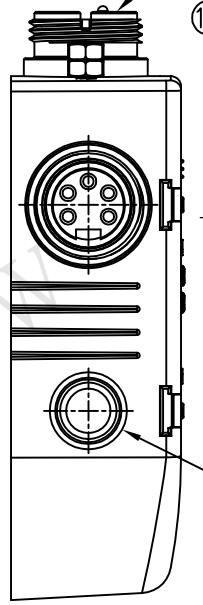
Conn.3  
Pin Assignments  
Front View

- ⑨ Shielding Screw
- ⑩ Shielding Nut



- ⑤ Connector
- ⑧ C O-Ring
- ⑪ O-Ring
- ⑫ O-Ring

- ⑥ Connector
- ⑧ C O-Ring
- ⑫ O-Ring



- ① UpperCase
- ② Label 1
- ③ Lens
- ⑦ Screw
- ⑬ PCB Half Finished
- ⑭ Lique
- ⑯ Label 2

Note:

- \* @C Important Dimension.
- \* Waterproof Rate : IP68.
- \* Panel Connector: Nylon+GF,Black.
- \* Pin:Copper Alloy,Gold Plated.
- \* O-Ring : Silicone, Gray.
- \* UpperCase: PC+PBT, Black.
- \* Label 1: PC+PBT, White.
- \* Label 2: P072 50#
- \* Text Depth: 0.3mm.

Blue 藍		5 (18AWG)	5 (18AWG)
White 白	4 (16AWG)	4 (18AWG)	4 (18AWG)
Black 黑	3 (16AWG)	3 (16AWG)	3 (16AWG)
Red 紅	2 (16AWG)	2 (16AWG)	2 (16AWG)
Yellow 黃	1 (16AWG)	1 (18AWG)	1 (18AWG)
Wire Color	Power/Conn.1	J3 / Conn.2	J4 / Conn.3

BROWN 棕		16AWG
Green 綠	18AWG	
Wire Color	FUSE	GND/地線

UNIT:mm	
TOLERANCE	
.X	±0.25
.XX	±0.1
.XXX	±0.05
ANGLES	±1°

TITLE		NMEA2000 MINI-C POWERTAP BOX	
SCALE	Free	SHEET	1 OF 1
REV.	C	SIZE	A4
④ :Inspection Item			

**Amphenol LTW**  
安費諾亮泰企業股份有限公司

ITEM NO	U-455000-MFF000-S001
DWG NO	U-455000-MFF000-S001
CUSTOMER	ALTW

DRAWN BY	Tracy Hsu
CHECKED BY	Jason Yu
APPROVED BY	Kevin Hu

DATE	2018/06/27
DATE	2018/06/27
DATE	2018/06/27