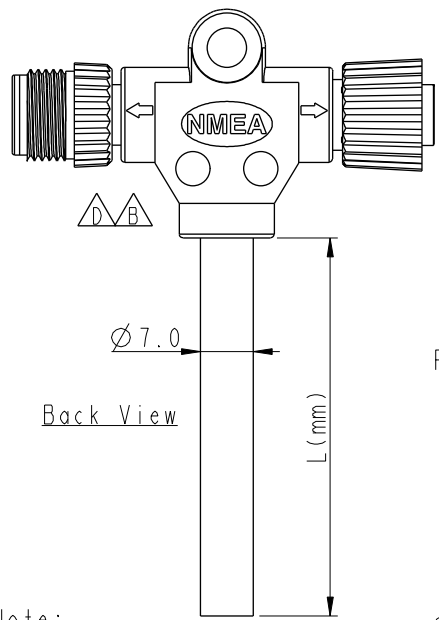
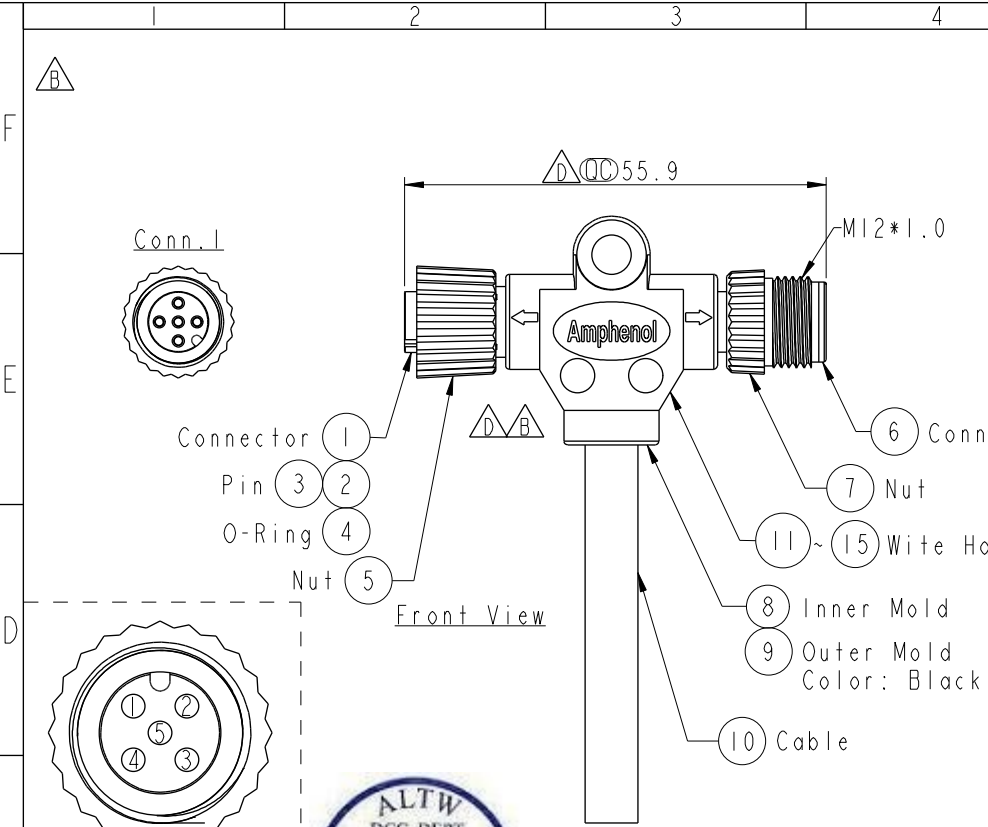


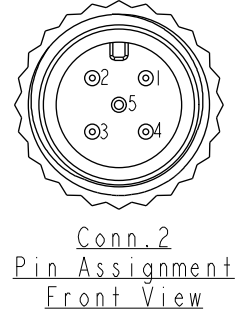
THIS DOCUMENT IS SUBJECT TO CHANGE WITHOUT NOTICE. IT IS CONFIDENTIAL AND A PROPERTY OF Amphenol LTW. DISCLOSURE TO THIRD PARTY HAS TO BE AUTHORIZED BY Amphenol LTW.

REV.	ECN NO.	DATE	SIGN	DESCRIPTION
B	LEN1510712~715	2015/01/21	Sam	Update Logo&View&Note.
C	LEN1640101~104	2016/04/08	Ruru	Modify Line position
D	LE31720099~102	2017/02/08	Ruru	Change Logo & Outer Mold Design



PC-050500-FM0-TSBXX  
 XX:01~99Meter  
 01:01Meter  
 02:02Meter  
 ...  
 99:99Meter  
 Cable Length(L):01~99Meters

- Note:
- \*  $\varnothing$  Important Dimension.
  - \* Waterproof Rate: IP68.
  - \* IP68: 1M Depth Of Water In 24hours.
  - \* Connector: Polyurethane (PU), Black.
  - \* Male Pin: Copper Alloy, Gold Plated.
  - \* Female Pin: Copper Alloy, Gold Plated
  - \* Cable: (22#\*1P+A)+(18#\*1P+A)+Drain+AL.Mylar+Braid, Black PVC UV Cable OD=7.0mm
  - \* Wire Harness: UL1007/TR64 22AWG, OD=0.76mm, Green, White, Blue.
  - \* Wire Harness: UL1007/TR64 18AWG, OD=1.20mm, Red, Black.
- $\Delta$  Cable Length Tolerance: 01M:±40mm  
 02M~05M:±60mm  
 06M~10M:±100mm  
 11M~30M:±200mm  
 31M~99M:±500mm



5	Blue (22AWG)藍	5	Blue (22AWG)藍
4	White (22AWG)白	4	White (22AWG)白
3	Black (18AWG)黑	3	Black (18AWG)黑
2	Red (18AWG)紅	2	Red (18AWG)紅
1 $\Delta$	Green (22AWG)綠	1 $\Delta$	Drain (22AWG)地線
Conn.1	Wire Harness	Conn.2	Cable

Pin Out

UNIT:mm		
TOLERANCE	±0.5 mm	

TITLE M12P Conn NMEA T Cable FM Conn FM Pin			
SCALE 1:1	SIZE A4	SHEET 1 OF 1	
REV. D	WC-REV. A.2	$\varnothing$ : Inspection item	

**Amphenol LTW**  
 安費諾亮泰企業股份有限公司

ITEM NO	DRAWN BY Ruru	DATE 2017-02-08
DWG NO PC-050500-FM0-TSBXX	CHECKED BY Rita	DATE 2017-02-08
CUSTOMER ALTW	APPROVED BY Max	DATE 2017-02-08