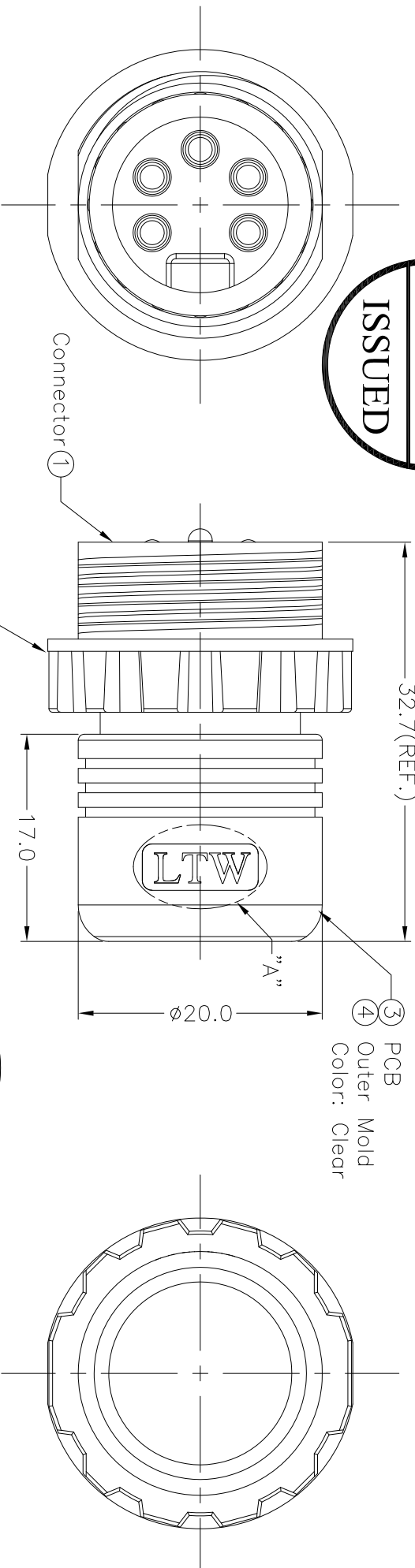
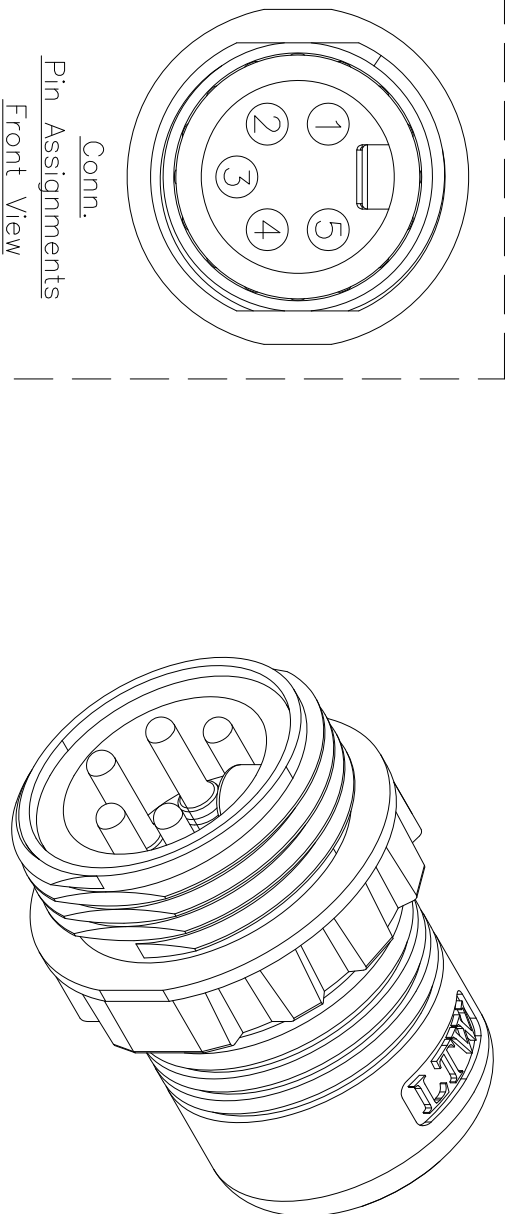
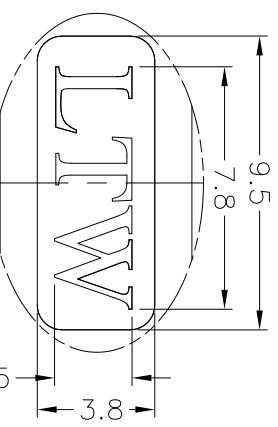


REV.	EGN. NO.	DATE	SIGN	DESCRIPTION

LTW
 DCC. DEPT.
 CONFIDENTIAL
 2008.08.13
ISSUED



LTW
 CONFIDENTIAL
 2008.04.26
 R&D DEPT.



Note:

- * @@ Important Dimension.
- * Waterproof Rate: IP68
- * Connector: Black, PU
- * Pin: Copper Alloy, Gold Plated
- * Resistor: 1/4W, 120ohm±5% Resistance, Molded Inside The Connector.
- * Nut: Zinc, Nickel Plated
- * Text Depth : 0.3mm

UNIT:mm		TITLE		ITEM NO		DRAWN BY		DATE	
TOLERANCE		WaterProof Resistor with LED		LTW/MNL-05BMMT-SL8001		Doreen		2008/08/11	
.X		SCALE		DWG NO		CHECKED BY		DATE	
.XX		Free		LTW/MNL-05BMMT-SL8001		Cloud		2008/08/11	
.XXX		SIZE		CUSTOMER		APPROVED BY		DATE	
ANGLES		A4		亮泰企業股份有限公司		Yitung		2008/08/12	
±0.25		SHEET 1 OF 1							
±0.1									
±0.05									
±1°									