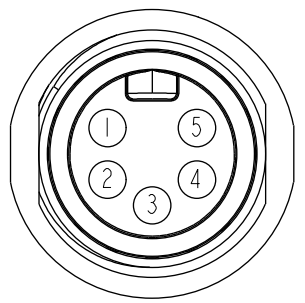
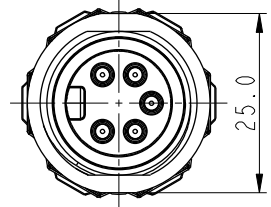
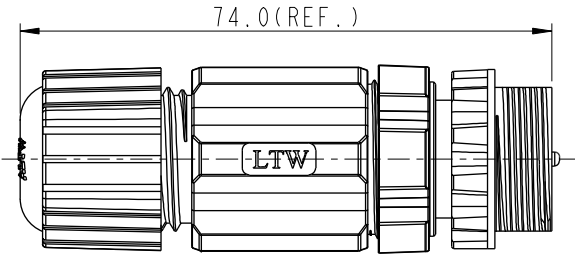
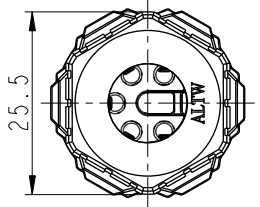
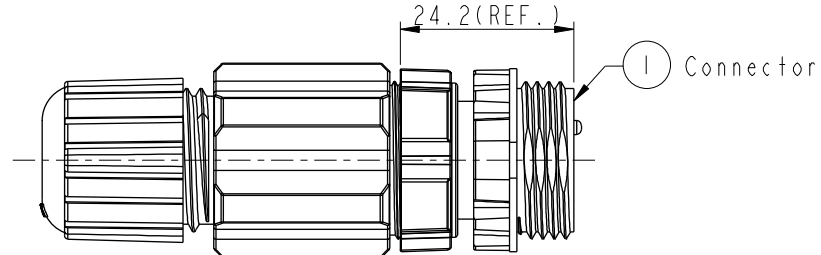
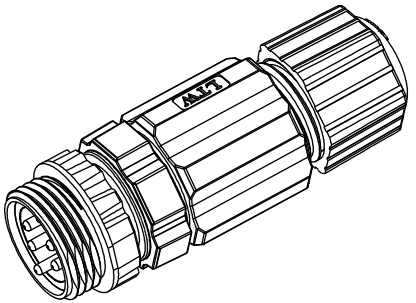
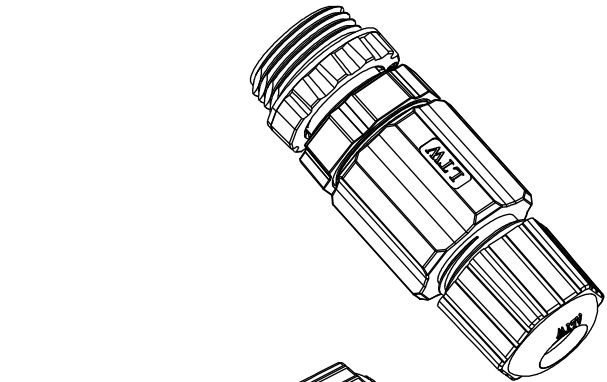
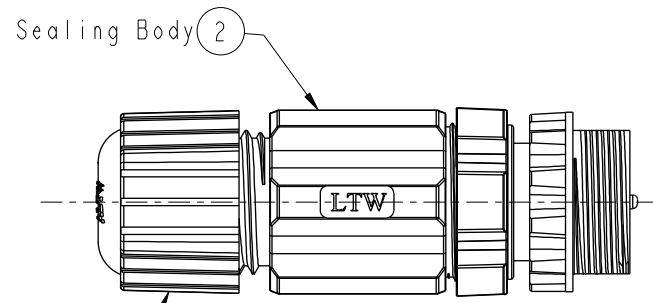


REV.	ECN NO.	DATE	SIGN	DESCRIPTION
B	LEN1741287	2017/04/14	Vicky	Update Logo



Conn.  
Pin Assignments  
Front View



- Note:
- \* Waterproof Rate: IP67
  - \* Connector: Nylon+GF, Black
  - \* Male Pin: Copper Alloy, Gold Plated
  - \* O-Ring 1: EPDM, Black
  - \* O-Ring 2: EPDM, Black
  - \* Holder: Nylon+GF, Black
  - \* Gasket: EPDM, Black
  - \* Sealing Nut: Nylon 66, Black
  - \* Nut: ZINC, Nickel Plated
  - \* Seals For Cable OD  $\varnothing 8\text{mm} - \varnothing 11.0\text{mm}$
  - \* 使用温度:  $-20^{\circ}\text{C} \sim 70^{\circ}\text{C}$
  - \* Text Depth: 0.3mm

UNIT:mm	
TOLERANCE	
.X	$\pm 0.25$
.XX	$\pm 0.1$
.XXX	$\pm 0.05$
ANGLES	$\pm 1^{\circ}$

TITLE Mini-C MALE SCREW-IN ASSEMBLE			
SCALE 19:20	SIZE A4	SHEET 1 OF 1	
REV. B	WC-REV. A.2	QC: Inspection item	

**Amphenol LTW**  
安費諾亮泰企業股份有限公司

ITEM NO. MN-05BMMB-SL7001	DRAWN BY Vicky	DATE 2017-04-14
DWG NO. MN-05BMMB-SL7001	CHECKED BY Rita	DATE 2017-04-14
CUSTOMER ALTW	APPROVED BY Max	DATE 2017-04-14

THIS DOCUMENT IS SUBJECT TO CHANGE WITHOUT NOTICE. IT IS CONFIDENTIAL AND A PROPERTY OF Amphenol LTW. DISCLOSURE TO THIRD PARTY HAS TO BE AUTHORIZED BY Amphenol LTW.