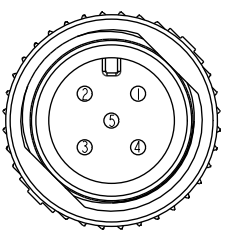
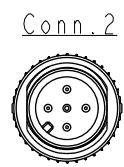
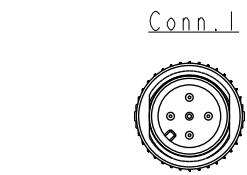
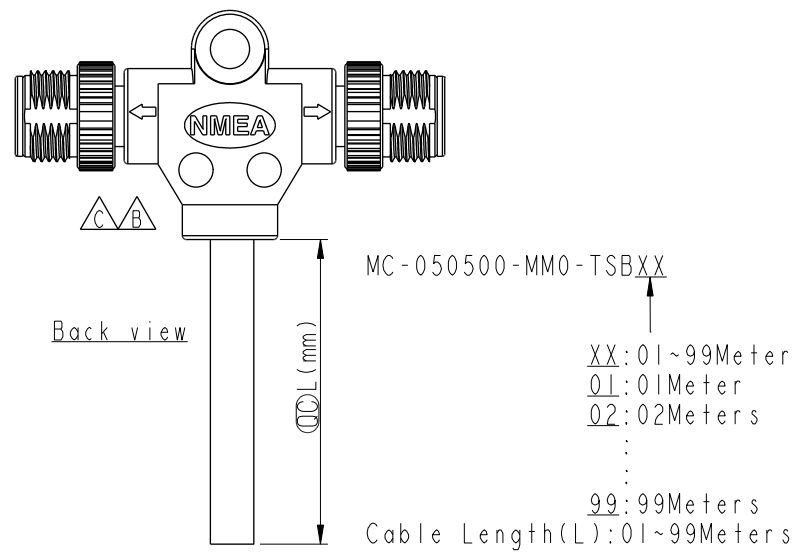
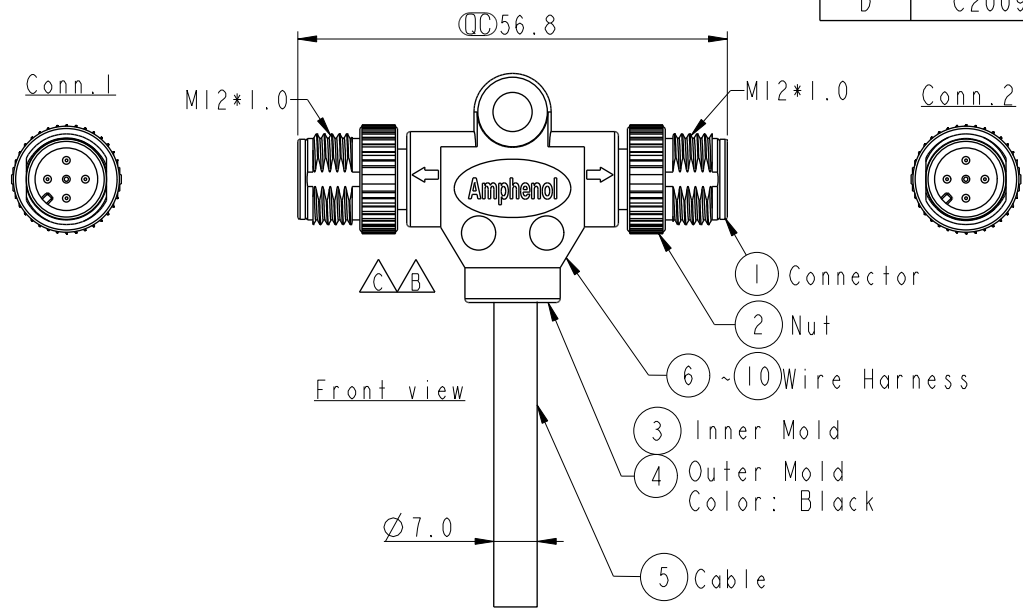


THIS DOCUMENT IS SUBJECT TO CHANGE WITHOUT NOTICE. IT IS CONFIDENTIAL AND A PROPERTY OF Amphenol LTW. DISCLOSURE TO THIRD PARTY HAS TO BE AUTHORIZED BY Amphenol LTW.

REV.	ECN NO.	DATE	SIGN	DESCRIPTION
B	LEN1510703~706	2015/01/22	Sam	Update Logo&note&view.
C	LE31720090~093	2017/02/08	Ruru	Change Logo & Outer Mold Design
D	C200912	2020/06/18	Vicky	$\triangle D$ *4



Conn.1&2  
Pin Assignment  
Front View

5	Blue (22AWG)藍	5	Blue (22AWG)藍
4	White (22AWG)白	4	White (22AWG)白
3	Black (18AWG)黑	3	Black (18AWG)黑
2	Red (18AWG)紅	2	Red (18AWG)紅
1	Green (22AWG)綠	1	Drain (22AWG)地線
Conn.1	Wire Harness	Conn.2	Cable

Pin Out

Note:

- \*  $\text{CC}$  Important Dimension.
- $\triangle D$ \* Waterproof Rate: IP68, Mated  
IP68: 1M Depth Of Water In 24hours.
- $\triangle D$ \* Connector: Thermoplastic, Black
- \* Male Pin: Copper Alloy, Gold Plated
- \* Cable: (22#\*IP+A)+(18#\*IP+A)+Drain+AL.Mylar+Braid, Black  
PVC UV Cable OD=7.0mm
- \* Wire Harness: UL1007/TR64 22AWG, OD=0.76mm ,Green,White,Blue.
- \* Wire Harness: UL1007/TR64 18AWG, OD=1.20mm ,Red,Black.
- $\triangle B \triangle D$ \* Cable Length Tolerance: 01M: +50/-0mm  
02M~03M: +100/-0mm  
04M~05M: +150/-0mm  
06M~10M:  $\pm 100$ mm  
11M~20M:  $\pm 200$ mm  
21M~30M:  $\pm 300$ mm  
31M~99M:  $\pm 500$ mm

UNIT:mm		TITLE ACC, NMEA, N-APVD, T ADA W/ CB MM, 55
TOLERANCE $\pm 0.5$ mm	SCALE 1:1	SIZE A4
	REV. D	SHEET 1 OF 1
	WC-REV. A.3	$\text{CC}$ : Inspection item

**Amphenol LTW**  
安費諾亮泰企業股份有限公司

ITEM NO	DRAWN BY	DATE
DWG NO MC-050500-MM0-TSBXX	Ruru	2017-02-08
CUSTOMER	CHECKED BY	DATE
ALTW	Rita	2017-02-08
	APPROVED BY	DATE
	Max	2017-02-08