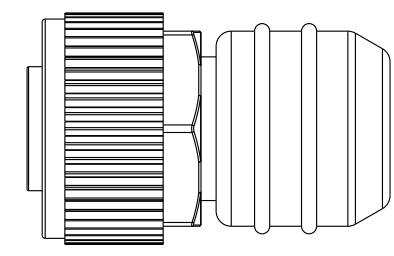
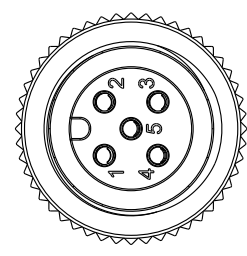
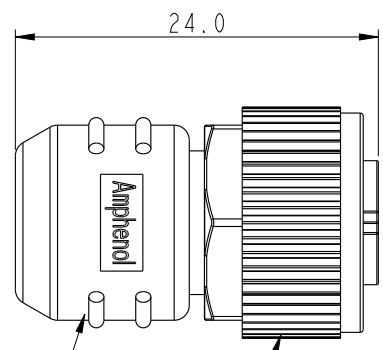


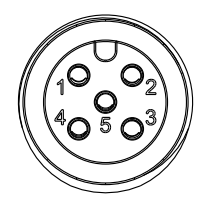
THIS DOCUMENT IS SUBJECT TO CHANGE WITHOUT NOTICE. IT IS CONFIDENTIAL AND A PROPERTY OF AMPHENOL LTW. DISCLOSURE TO THIRD PARTY HAS TO BE AUTHORIZED BY AMPHENOL LTW.

REV.	ECN NO.	DATE	SIGN	DESCRIPTION



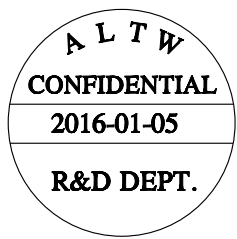
- ⑥ Resistor
- ⑦ Outer Mold Bule
- ① Connector
- ② Female Pin 1
- ③ Female Pin 2
- ④ Female Nut
- ⑤ O-Ring

Conn.



Conn.
Pin Assignments
Front View

Resistor	5
	4
Conn.	
Pin Out	



Note:
 * \varnothing Important Dimension To Check.
 * Waterproof Rate: IP68
 In 1 meter water within 24 hours
 * Connector: PU, Black
 * Nut: PA66, Black
 * Pin: Copper Alloy, Gold Plated 30u"
 * Outer Mold: PU, Blue
 * Resistor: 1/4, 120Ω, 5% Resistance

UNIT:mm
 TOLERANCE ±0.50mm

TITLE NMEA2000 Micro-C Terminator Female Connector			
SCALE 1:1	SIZE A4	SHEET 1 OF 1	
REV. A	WC-REV. A.1	QC: Inspection item	

Amphenol LTW
 安費諾亮泰企業股份有限公司

ITEM NO. HMCP-05BFFT-SL8001	DRAWN BY Cary	DATE 2016-01-05
DWG NO. HMCP-05BFFT-SL8001	CHECKED BY Yulong	DATE 2016-01-05
CUSTOMER ALTW	APPROVED BY Jerry	DATE 2016-01-05