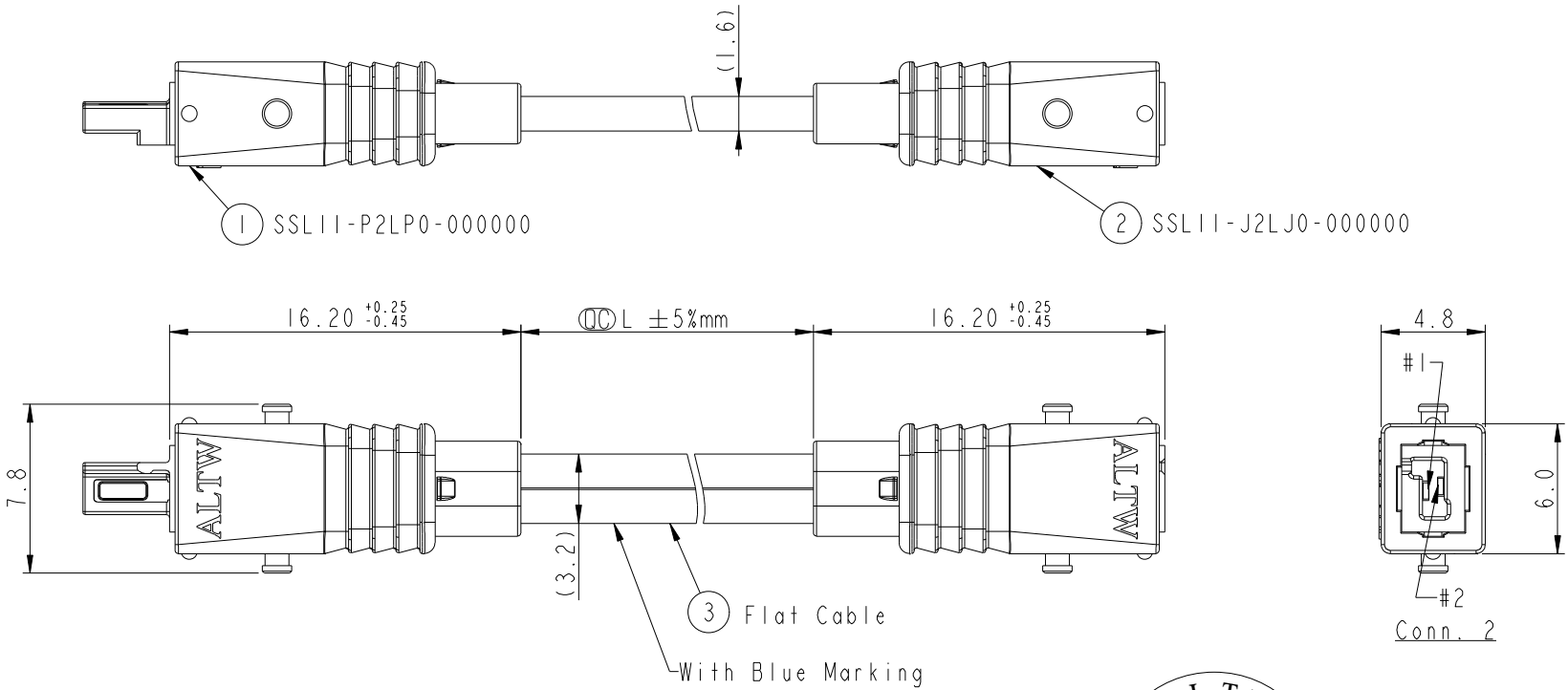
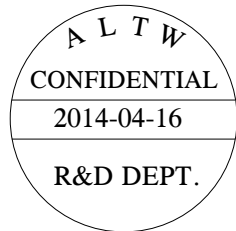


REV.	ECN NO.	DATE	SIGN	DESCRIPTION
A	Initial Release	2014-04-16	Fisher	Initial Release



SSL11-P2LJP-022DXX
 06: L=600mm.
 Cable Length Range(L): 100~9900mm
 22: 22AWG
 LOCK&LATCH OPTION
 0: W/O LOCK



- Notes:
- * (C) Important Dimensions To Check.
 - * Housing: Thermoplastic, UL94V-0, Natural White.
 - * Terminal: Copper Alloy, Gold Plated.
 - * Hood: Thermoplastic, UL94V-0, Natural White.
 - * SR Mold: PP, UL94V-0, Natural White.
 - * Flat Cable: UL21016, 2F * 22AWG, XLPE Insulation, White

2	White	2
1	Blue Marking	1
Conn. 1	Wire Color	Conn. 2
Pin Out		

UNIT:mm		TITLE
TOLERANCE		SSL1.1 Flat Cable, 2-Pos. W/O Lock, Plug to Jack
.X ±0.25		SCALE 3:1
.XX ±0.1		SIZE A4
.XXX ±0.05		SHEET 1 OF 1
ANGLES ±1°		REV. A
		WC-REV. A.2
		(C): Inspection item

Amphenol LTW
 安費諾亮泰企業股份有限公司

ITEM NO	DRAWN BY	DATE
DWG NO	Checked By	DATE
CUSTOMER	APPROVED BY	DATE
ALTW	Fisher_Wang	2014-04-16
	Ivan_Lin	2014-04-16
	Kevin_Hu	2014-04-16

THIS DOCUMENT IS SUBJECT TO CHANGE WITHOUT NOTICE. IT IS CONFIDENTIAL AND A PROPERTY OF AMPHENOL LTW. DISCLOSURE TO THIRD PARTY HAS TO BE AUTHORIZED BY AMPHENOL LTW.