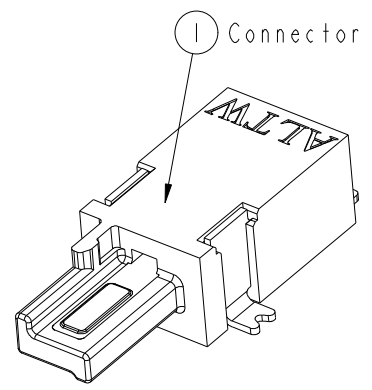
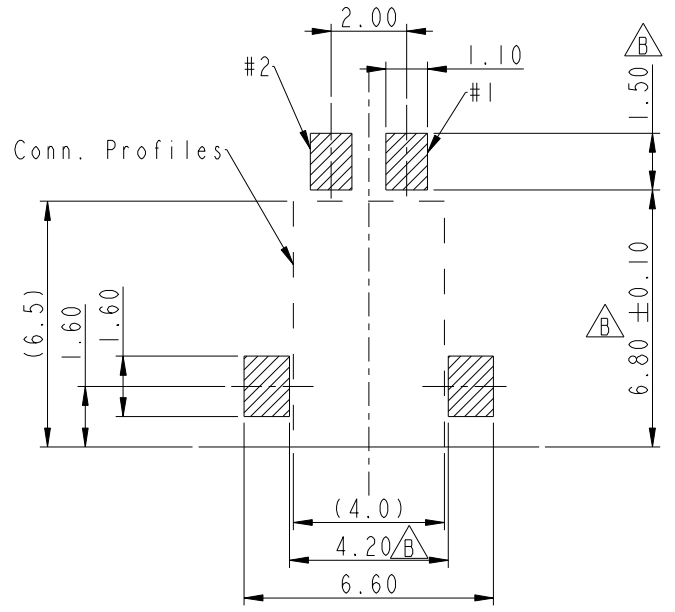
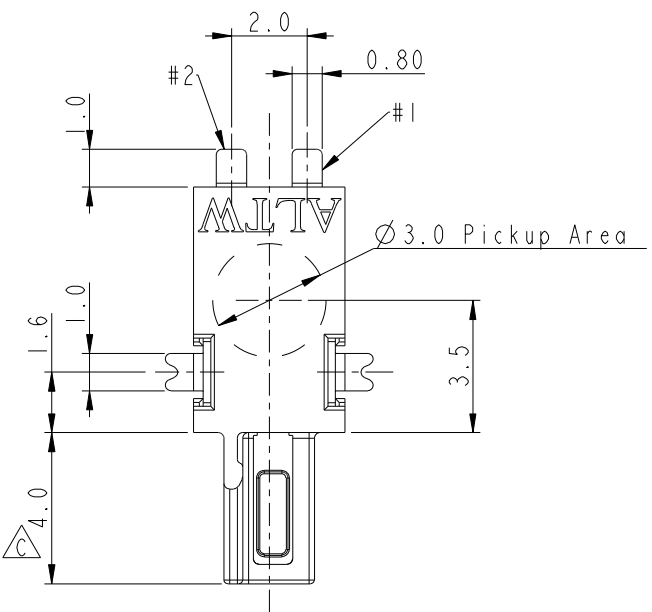
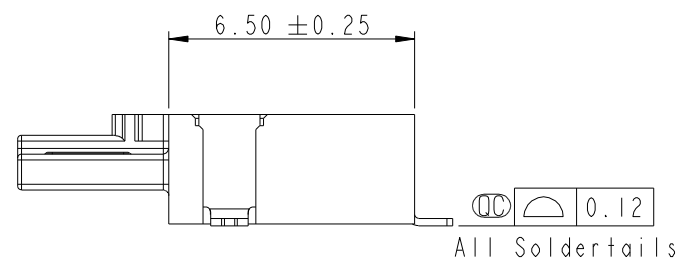
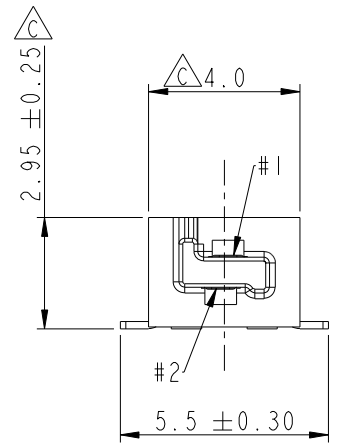
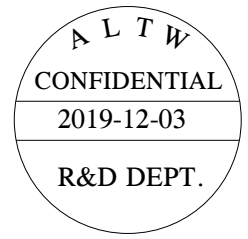


THIS DOCUMENT IS SUBJECT TO CHANGE WITHOUT NOTICE. IT IS CONFIDENTIAL AND A PROPERTY OF Amphenol LTW. DISCLOSURE TO THIRD PARTY HAS TO BE AUTHORIZED BY Amphenol LTW.

REV.	ECN NO.	DATE	SIGN	DESCRIPTION
C	LE313C0099	2013-12-16	Fisher	Change Plating and Dimensions
D	CI91496	2019-08-30	NianPing Yu	Add UL Label
E	CI92063	2019-12-03	NianPing Yu	△E XI



RECOMMENDED P.C.B. LAYOUT
GENERAL TOLERANCE IS ±0.05



- Notes:
- * CC Important Dimension To Check.
 - * Housing: High temperature thermoplastic. UL94V-0, color is Natural white.
 - * Terminal: Copper Alloy, Gold Plated on contact area. Tin plated on solder tails.
 - * Solder Peg: Copper Alloy, Tin plated over Nickel.

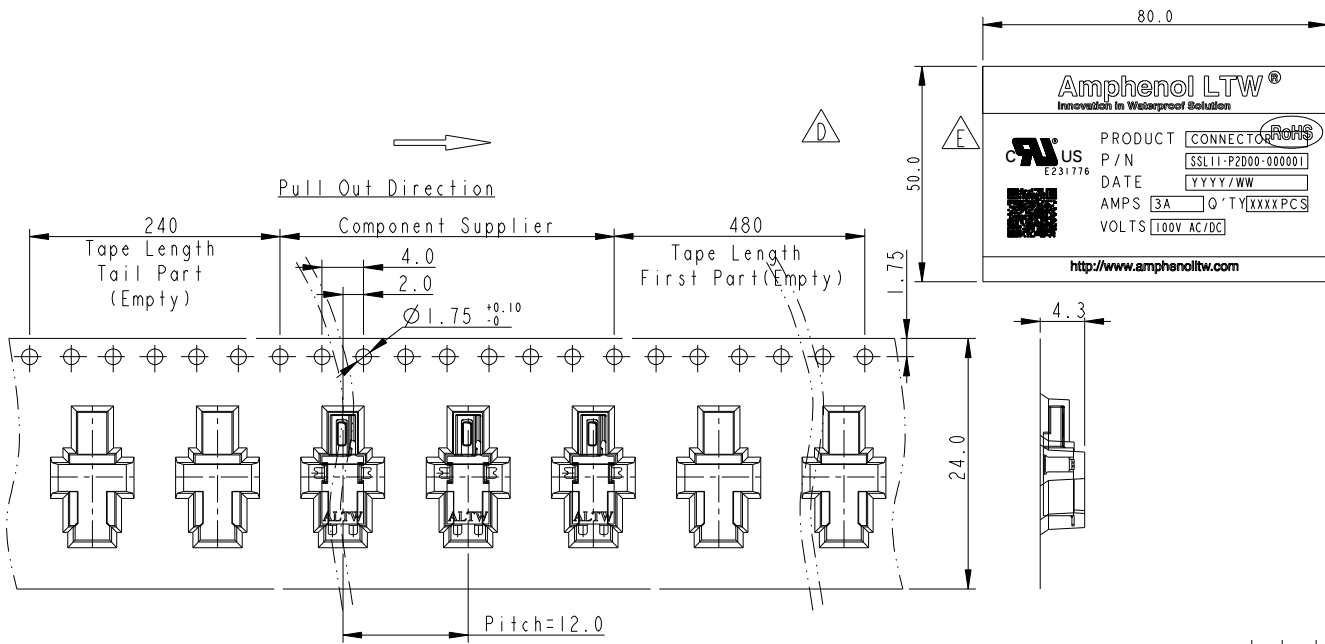
UNIT: mm	CC	CC
TOLERANCE		
.X	±0.25	
.XX	±0.1	
.XXX	±0.05	
ANGLES	±1°	

TITLE SSL-1.1 DCPLUG CONNECTOR 2-POS. W/O POST, SMT TYPE			
SCALE	SIZE	SHEET	OF
5:1	A4	1	2
REV.	WC-REV.	CC : Inspection item	
E	C.6		

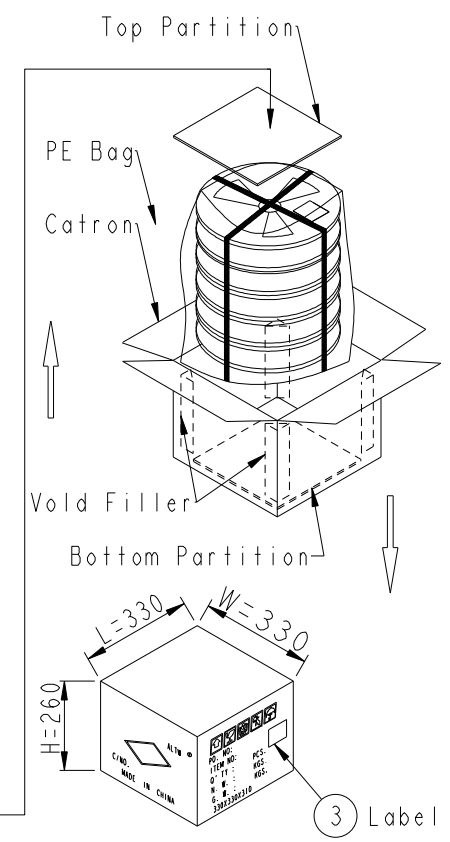
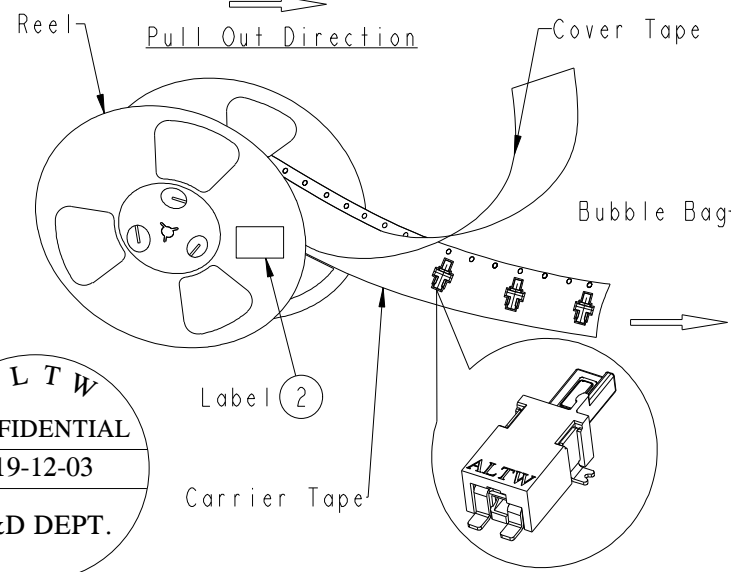
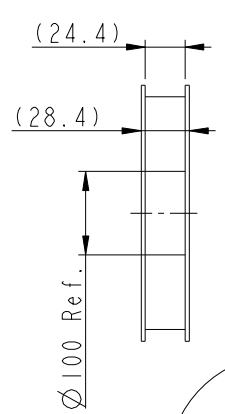
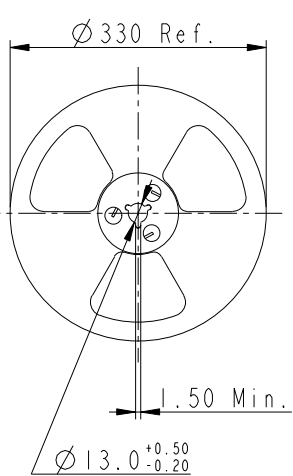
Amphenol LTW
安費諾亮泰企業股份有限公司

ITEM NO	DRAWN BY	DATE
SSL11-P2D00-000001	NianPing Yu	2019-08-30
DWG NO	CHECKED BY	DATE
SSL11-P2D00-000001	Fisher Wang	2019-08-30
CUSTOMER	APPROVED BY	DATE
ALTW	Max Yang	2019-08-30

THIS DOCUMENT IS SUBJECT TO CHANGE WITHOUT NOTICE. IT IS CONFIDENTIAL AND A PROPERTY OF Amphenol LTW. DISCLOSURE TO THIRD PARTY HAS TO BE AUTHORIZED BY Amphenol LTW.



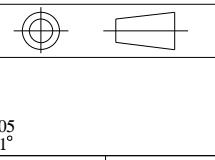
- MATERIALS**
- Carrier Tape: Polystyren (PS)
 - Cover Tape: Polystyren (PS)
 - Reel: Polystyren (PS)
- QUANTITY**
- 1200Pcs Per Reel
 - 8 Reel Per Carton (9600Pcs/Carton)
 - Reference Standard: EIA-481-D
 - Net Weight: 1.7Kg/Carton.
 - Gross Weight: 6.9Kg/Carton.



ALTW
 CONFIDENTIAL
 2019-12-03
 R&D DEPT.

UNIT:mm

TOLERANCE	
.X	±0.25
.XX	±0.1
.XXX	±0.05
ANGLES	±1°



TITLE SSL-1.1 DC PLUG CONNECTOR 2-POS. W/O POST, SMT TYPE			
SCALE	5:1	SIZE	A4
REV.	E	WC-REV.	A.8
SHEET 2 OF 2		QC: Inspection item	

Amphenol LTW
 安費諾亮泰企業股份有限公司

ITEM NO	SSL11-P2D00-000001
DWG NO	SSL11-P2D00-000001
CUSTOMER	ALTW

DRAWN BY	NianPing Yu
CHECKED BY	Fisher Wang
APPROVED BY	Max Yang

DATE	2019-08-30
DATE	2019-08-30
DATE	2019-08-30