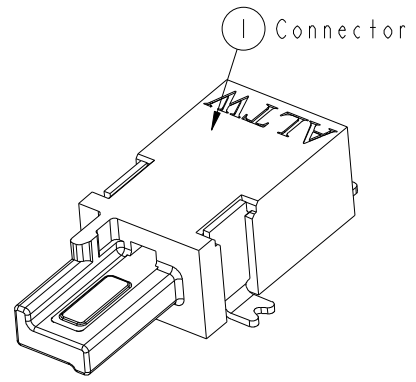
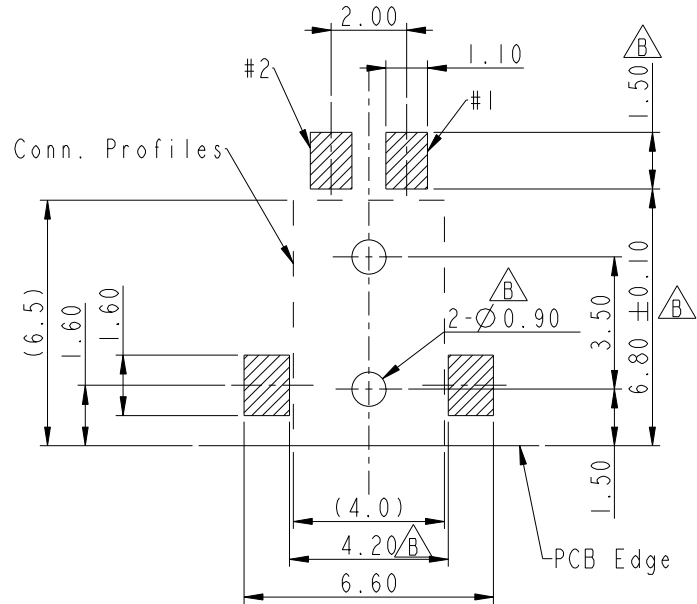
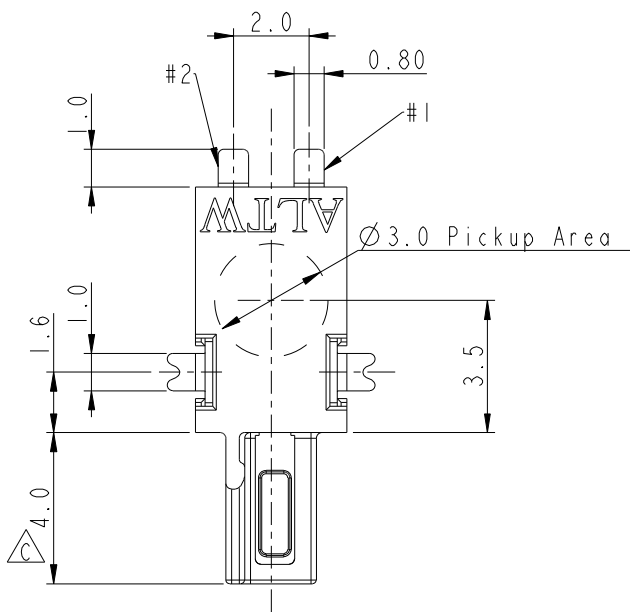
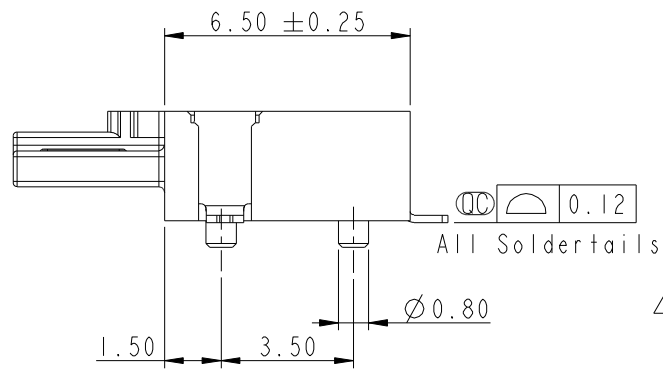
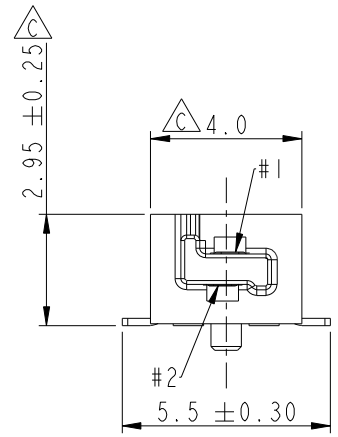
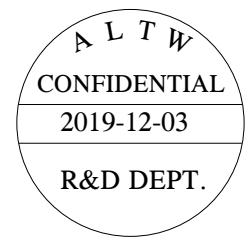


THIS DOCUMENT IS SUBJECT TO CHANGE WITHOUT NOTICE. IT IS CONFIDENTIAL AND A PROPERTY OF Amphenol LTW. DISCLOSURE TO THIRD PARTY HAS TO BE AUTHORIZED BY Amphenol LTW.

REV.	ECN NO.	DATE	SIGN	DESCRIPTION
C	LE313C0098	2013-12-16	Fisher	Change Plating and Package
D	CI91496	2019-08-30	NianPing Yu	Add UL Label
E	CI92063	2019-12-03	NianPing Yu	EXI



RECOMMENDED P.C.B. LAYOUT
GENERAL TOLERANCE IS ± 0.05



- Notes:
- * ⊘ Important Dimension To Check.
 - * Housing: High temperature thermoplastic. UL94V-0, color is Natural white.
 - * Terminal: Copper Alloy, Gold Plated on contact area. Tin plated on solder tails.
 - * Solder Peg: Copper Alloy, Tin plated over Nickel.

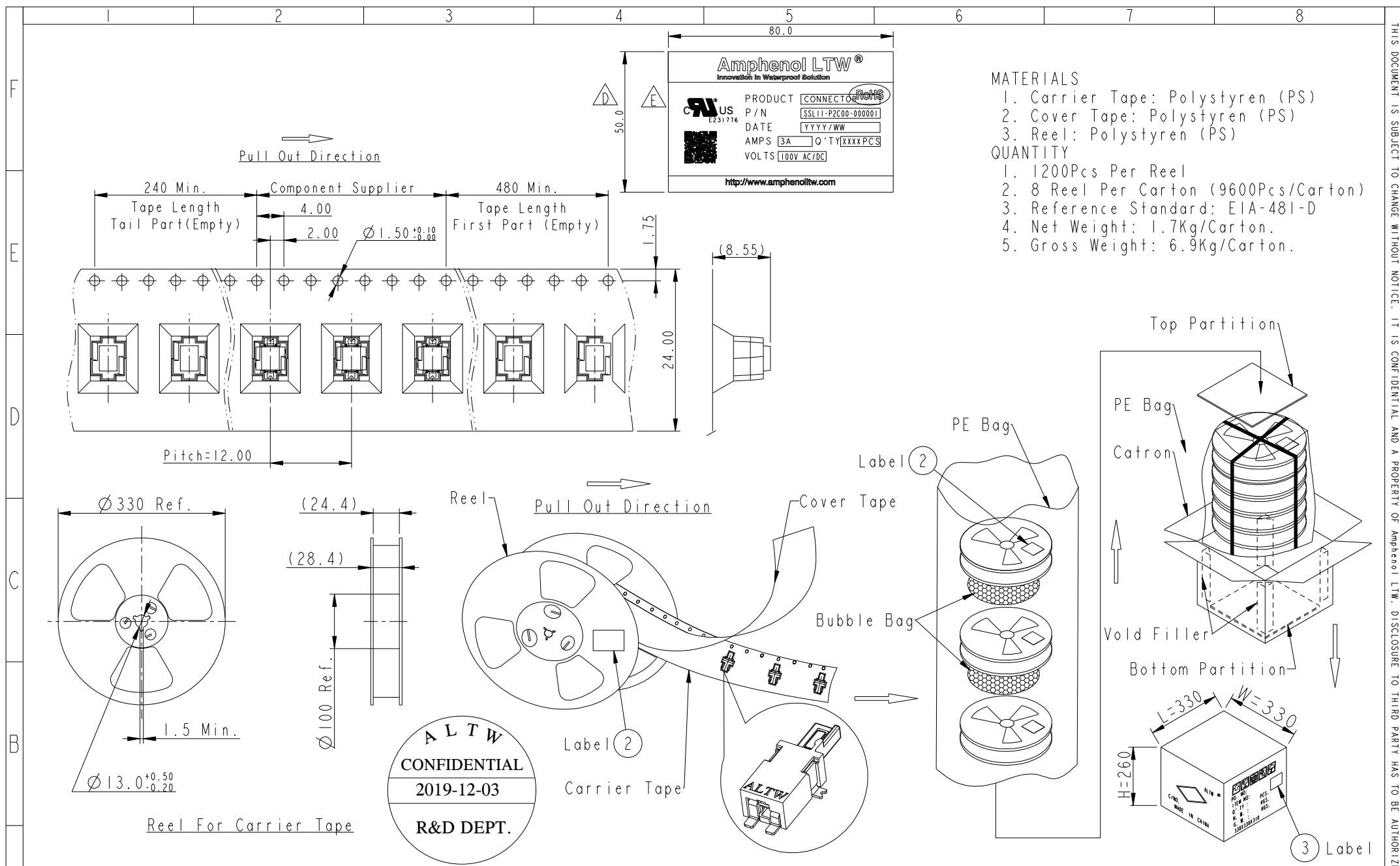
UNIT: mm		
TOLERANCE	.X ± 0.25	.XX ± 0.1
	.XXX ± 0.05	ANGLES $\pm 1^\circ$

TITLE SSL-1.1 DC PLUG CONNECTOR 2-POS. WITH POST, SMT TYPE			
SCALE 5:1	SIZE A4	SHEET 1 OF 2	
REV. E	WC-REV. C.9	⊘ : Inspection item	

Amphenol LTW
安費諾亮泰企業股份有限公司

ITEM NO SSL11-P2C00-000001	DRAWN BY NianPing Yu	DATE 2019-08-30
DWG NO SSL11-P2C00-000001	CHECKED BY Fisher Wang	DATE 2019-08-30
CUSTOMER ALTW	APPROVED BY Max Yang	DATE 2019-08-30

THIS DOCUMENT IS SUBJECT TO CHANGE WITHOUT NOTICE. IT IS CONFIDENTIAL AND A PROPERTY OF Amphenol LTW. DISCLOSURE TO THIRD PARTY HAS TO BE AUTHORIZED BY Amphenol LTW.



- MATERIALS**
- Carrier Tape: Polystyren (PS)
 - Cover Tape: Polystyren (PS)
 - Reel: Polystyren (PS)
- QUANTITY**
- 1200Pcs Per Reel
 - 8 Reel Per Carton (9600Pcs/Carton)
 - Reference Standard: EIA-481-D
 - Net Weight: 1.7Kg/Carton.
 - Gross Weight: 6.9Kg/Carton.

ALTW
CONFIDENTIAL
2019-12-03
R&D DEPT.

UNIT:mm		
TOLERANCE	.X	±0.25
	.XX	±0.1
	.XXX	±0.05
	ANGLES	±1°

TITLE SSL-1.1 DC PLUG CONNECTOR 2-POS. WITH POST, SMT TYPE			
SCALE	5:1	SIZE	A4
REV.	E	WC-REV.	A.8
SHEET		2 OF 2	
QC: Inspection item			

Amphenol LTW
安費諾亮泰企業股份有限公司

ITEM NO	SSL11-P2C00-000001	DRAWN BY	NianPing Yu	DATE	2019-08-30
DWG NO	SSL11-P2C00-000001	CHECKED BY	Fisher Wang	DATE	2019-08-30
CUSTOMER	ALTW	APPROVED BY	Max Yang	DATE	2019-08-30