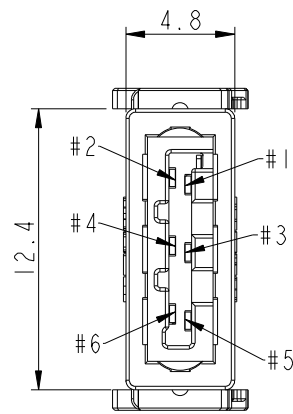
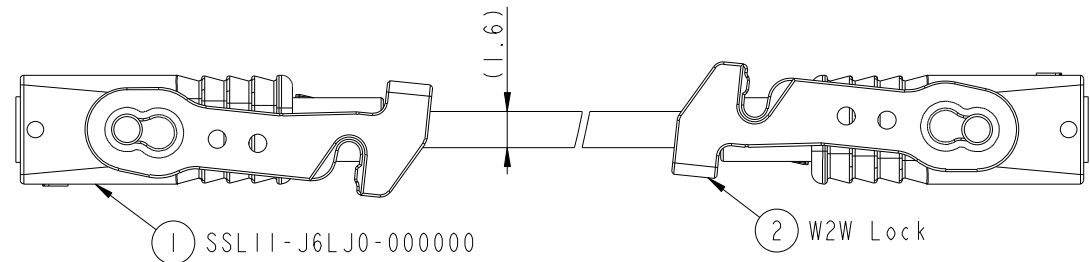
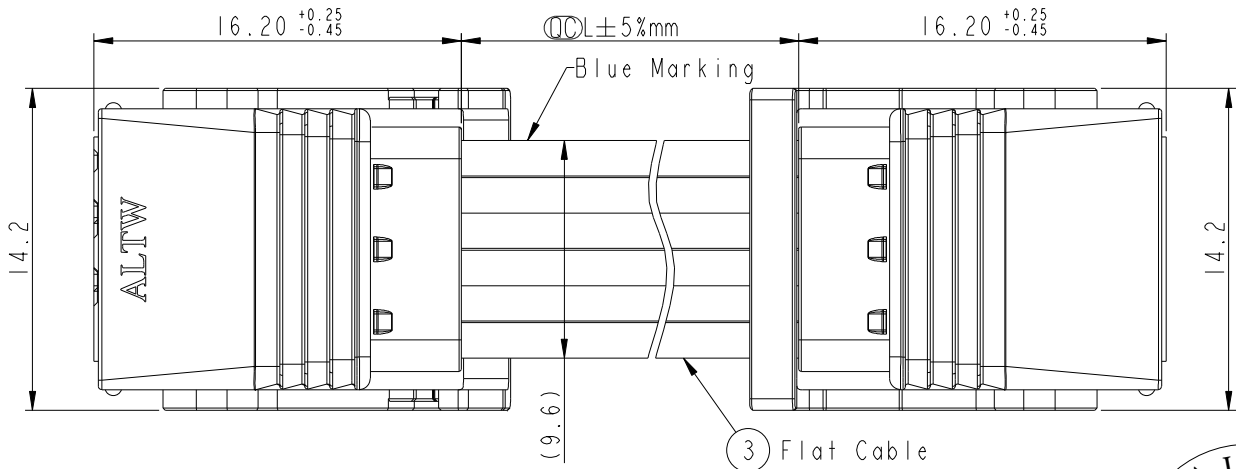


THIS DOCUMENT IS SUBJECT TO CHANGE WITHOUT NOTICE. IT IS CONFIDENTIAL AND A PROPERTY OF Amphenol LTW. DISCLOSURE TO THIRD PARTY HAS TO BE AUTHORIZED BY Amphenol LTW.

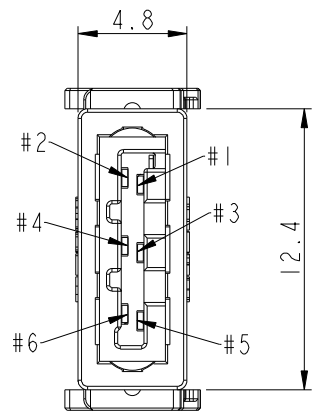
REV.	ECN NO.	DATE	SIGN	DESCRIPTION
A	Initial Release	2014-05-29	Fisher	Initial Release



Conn. 1



3 Flat Cable



Conn. 2

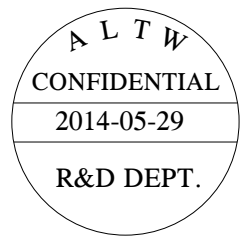
6	White	白	6
5	White	白	5
4	White	白	4
3	White	白	3
2	White	白	2
1	Blue	藍	1
Conn. 1	Wire Color	Conn. 2	
Pin Out			

SSL11-P6L2J-T22DXX

06: L=600mm.
Cable Length Range
(L): 100~9900 mm

22: 22AWG

LOCK&LATCH OPTION
T: W2W LOCK X 2



- Notes:
- * (∅) Important Dimensions To Check.
 - * Housing: Thermoplastic, UL94V-0, Natural White.
 - * Terminal: Copper Alloy, Gold Plated.
 - * Hood: Thermoplastic, UL94V-0, Natural White.
 - * SR Mold: PP, UL94V-0, Natural White.
 - * W2W Lock: Thermoplastic, UL94V-0, Natural White.
 - * Flat Cable: UL21016, 6F * 22AWG, XLPE Insulation, White

UNIT:mm		
TOLERANCE		
.X	±0.25	
.XX	±0.1	
.XXX	±0.05	
ANGLES	±1°	

TITLE SSL1.1 Flat Cable, 6-Pos. W2W Lock X 2, Jack to Jack			
SCALE 3:1	SIZE A4	SHEET 1 OF 1	
REV. A	WC-REV. A.4	∅: Inspection item	

Amphenol LTW
安費諾亮泰企業股份有限公司

ITEM NO	DRAWN BY Fisher_Wang	DATE 2014-05-29
DWG NO SSL11-J6L2J-T22DXX	CHECKED BY Ivan_Lin	DATE 2014-05-29
CUSTOMER ALTW	APPROVED BY Kevin_Hu	DATE 2014-05-29