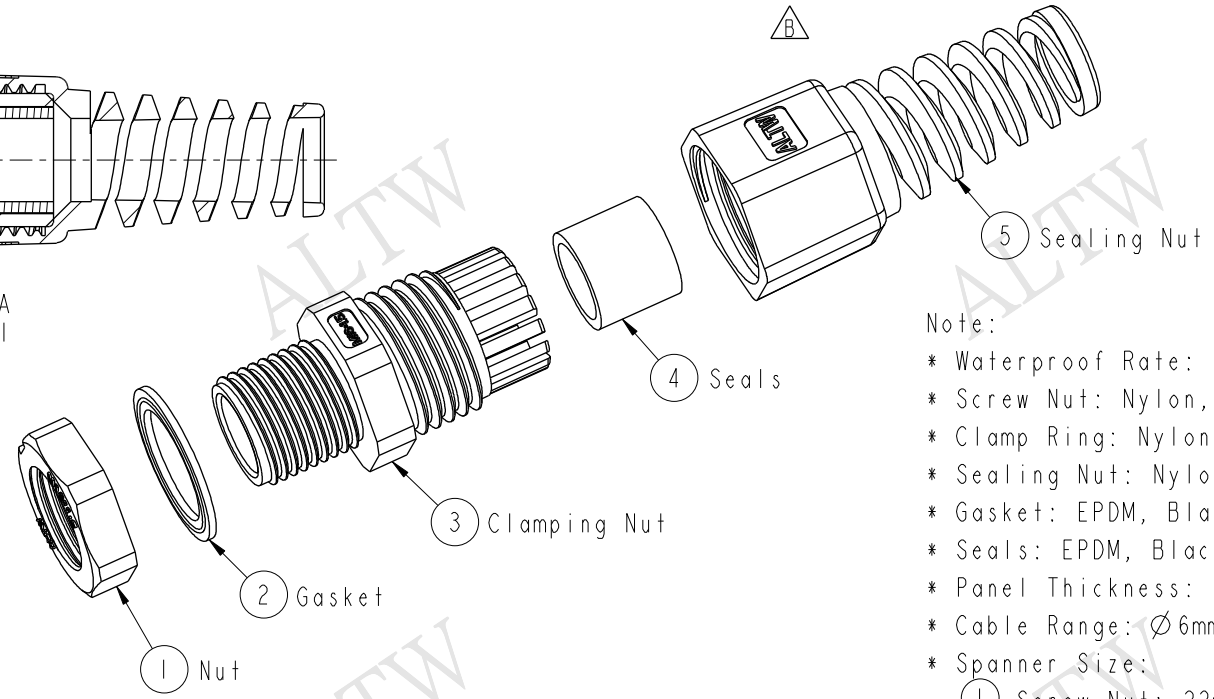
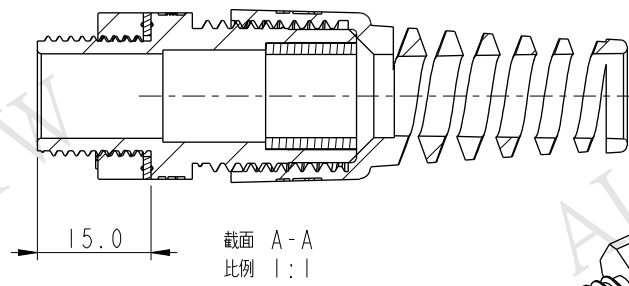
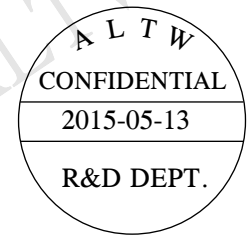
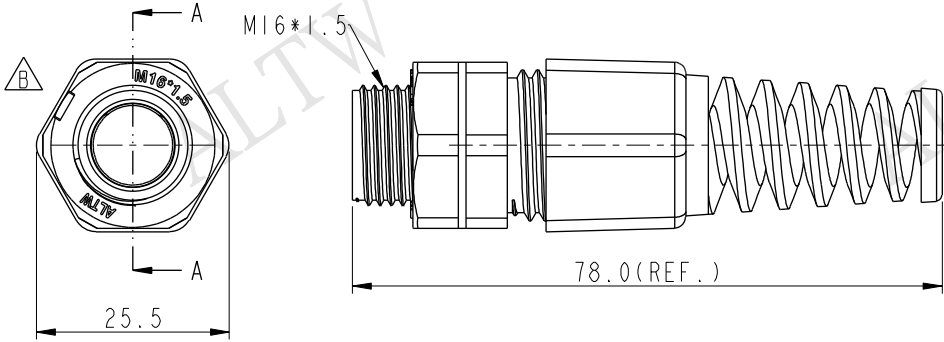
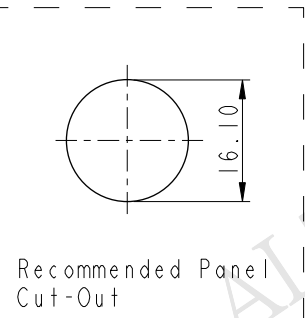


REV.	ECN NO.	DATE	SIGN	DESCRIPTION
B	LEN1570044	2015/05/13	Ruru	Change Logo



- Note:
- \* Waterproof Rate: IP68
  - \* Screw Nut: Nylon, Gray
  - \* Clamp Ring: Nylon, Gray
  - \* Sealing Nut: Nylon, Gray
  - \* Gasket: EPDM, Black
  - \* Seals: EPDM, Black
  - \* Panel Thickness: 7.5mm max.
  - \* Cable Range:  $\varnothing 6\text{mm} - \varnothing 10\text{mm}$
  - \* Spanner Size:
    - ① Screw Nut: 22mm
    - ③ Body: 22mm
    - ⑤ Sealing Nut: 22~22.9mm



A	UNIT: mm	TITLE M16 Straight with SR			ITEM NO. CSG-16M007	DRAWN BY Ruru	DATE 2015-05-13
	TOLERANCE .X ±0.25 .XX ±0.1 .XXX ±0.05 ANGLES ±1°	SCALE 4:5	SIZE A4	SHEET 1 OF 1	DWG NO. CSG-16M007	CHECKED BY Rita	DATE 2015-05-13
	REV. B	WC-REV. A.1	QC: Inspection item		CUSTOMER ALTW	APPROVED BY Lion	DATE 2015-05-13
	<b>Amphenol LTW</b> <b>安費諾亮泰企業股份有限公司</b>			8 FMM10702-01-02A1			

THIS DOCUMENT IS SUBJECT TO CHANGE WITHOUT NOTICE. IT IS CONFIDENTIAL AND A PROPERTY OF Amphenol LTW. DISCLOSURE TO THIRD PARTY HAS TO BE AUTHORIZED BY Amphenol LTW.