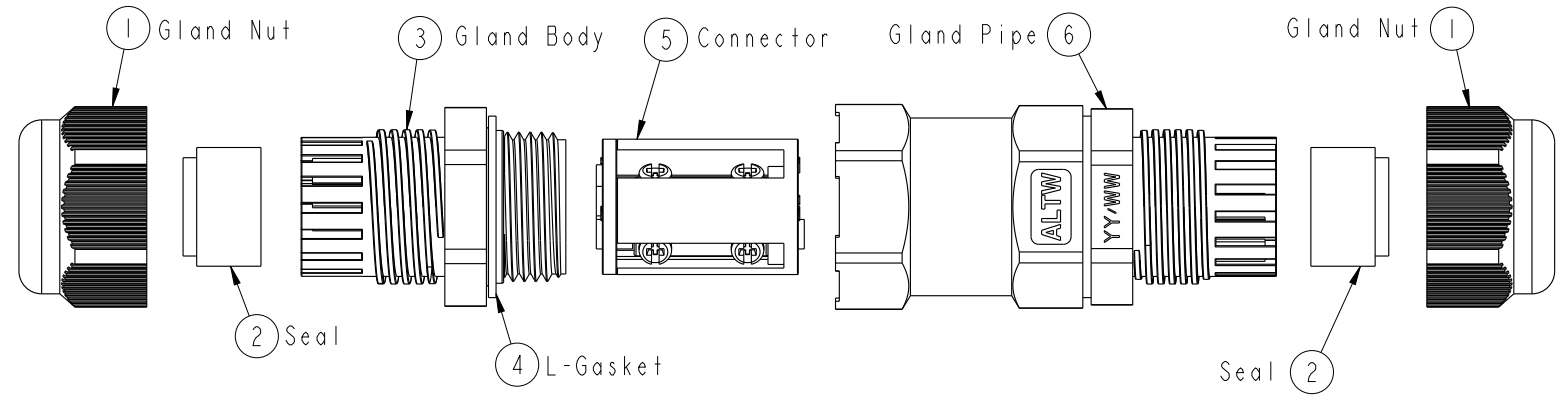
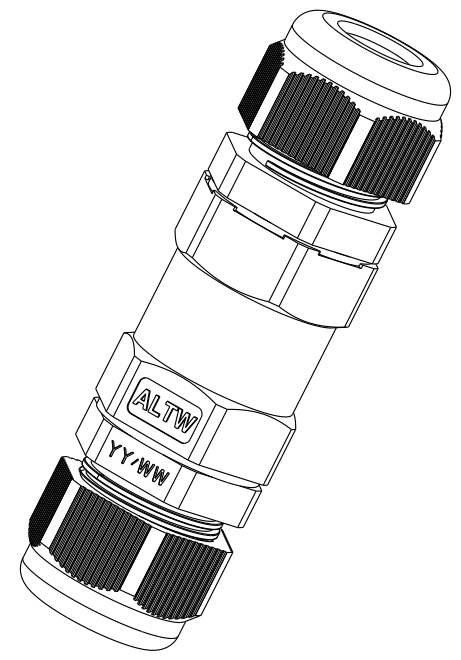
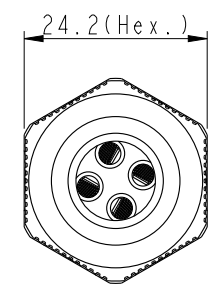
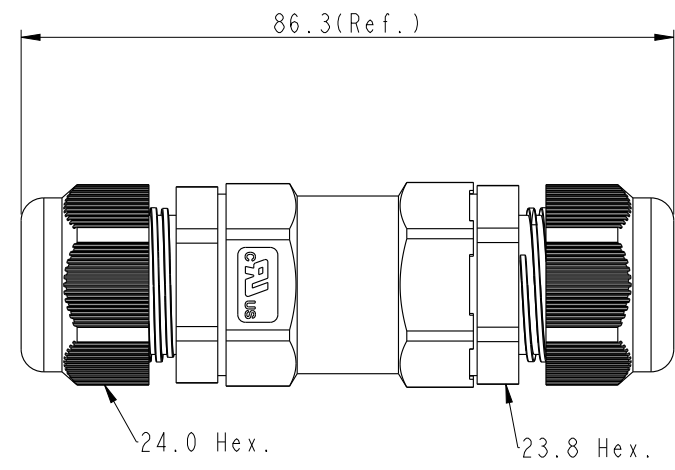
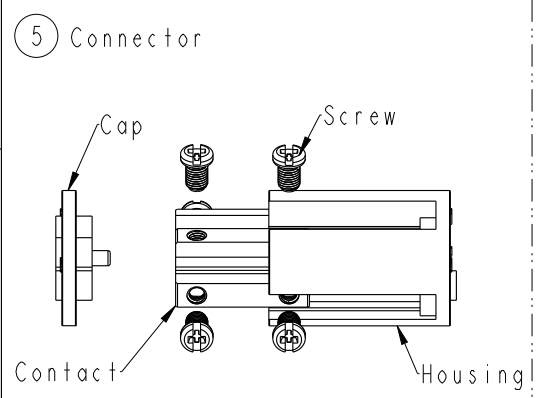


THIS DOCUMENT IS SUBJECT TO CHANGE WITHOUT NOTICE. IT IS CONFIDENTIAL AND A PROPERTY OF AMPHENOL LTW. DISCLOSURE TO THIRD PARTY HAS TO BE AUTHORIZED BY AMPHENOL LTW.

REV.	ECN NO.	DATE	SIGN	DESCRIPTION
A	Initial Release	2017/07/27	Lingpeng	New Item.
B	LEN17A0081~96	2017-10-14	Lingpeng	Add The Label And Change The Title
C	NI80019	2019-03-13	Peng	Add All Seals Product



ALTW
CONFIDENTIAL
 2019-03-13
R&D DEPT.



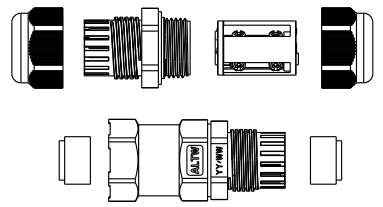
UNIT:mm		
TOLERANCE	±0.5mm	

TITLE QC: Inspection item			
C	A.3		

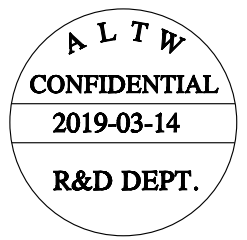
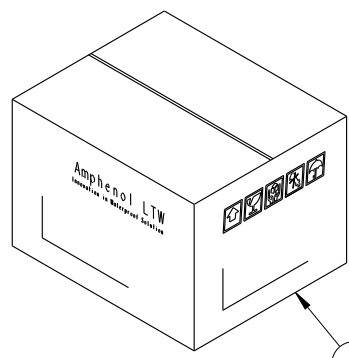
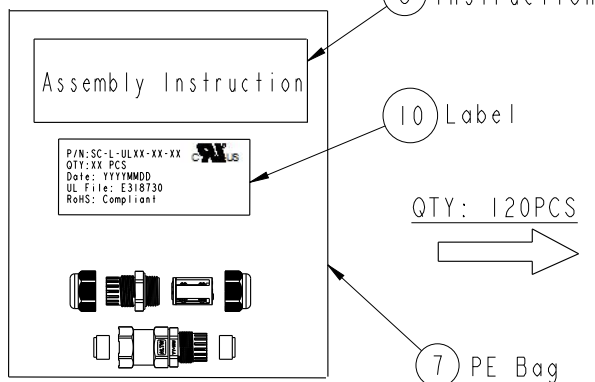
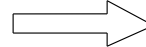
Amphenol LTW
 安費諾亮泰企業股份有限公司

ITEM NO	DRAWN BY	DATE
	Lingpeng	2019-03-14
DWG NO	CHECKED BY	DATE
SC-L-UL12-XX-XX	MaFei	2019-03-14
CUSTOMER	APPROVED BY	DATE
ALTW	Jerry	2019-03-14

THIS DOCUMENT IS SUBJECT TO CHANGE WITHOUT NOTICE. IT IS CONFIDENTIAL AND A PROPERTY OF Amphenol LTW. DISCLOSURE TO THIRD PARTY HAS TO BE AUTHORIZED BY Amphenol LTW.



QTY: IPCS



Both A Unassembled product And An Instruction Are In A PE Bag.
(將一套未組裝的產品和說明書，放置於一個PE袋，並封口)

SC-L-UL12-XX-XX

L: Cable Joiner
Type: UL12

Seal's Color: BL-Blue(藍色) For Cable Range: $\varnothing 4.5\sim\varnothing 6.5\text{mm}$
 YW-Yellow(黃色) For Cable Range: $\varnothing 6.5\sim\varnothing 8.5\text{mm}$
 GN-Green(綠色) For Cable Range: $\varnothing 8.5\sim\varnothing 10.5\text{mm}$
 RD-Red(紅色) For Cable Range: $\varnothing 10.5\sim\varnothing 11.5\text{mm}$
 AA-All Seals For Cable Range: $\varnothing 4.5\sim\varnothing 11.5\text{mm}$

No. of Conductor: 02-2Poles
 03-3Poles
 04-4Poles
 05-5Poles

Note:

- * Important Dimension To Check.
- * Waterproof Rate: IP68 (50M, 24H)
- * Housing & Cap: PA66+GF, Black.
- * Gland Pipe: PA66, Black.
- * Gland Body: PA66, Black.
- * Gland Nut: PA66, Black.
- * Contact: Brass, Nickel Plated
- * L-Gasket : Silicone, Yellow.
- * Seal: Silicone, Blue & Yellow & Green & Red.
- * Rated Voltage: 2~5 Pole 600V AC
- * Rated Current: 2 & 3 Pole Max. 20A ,
4 Pole Max. 15A,
5 Pole Max. 8A.
- * Operating Temperature: $-40^{\circ}\sim+105^{\circ}$.
- * Gland Body Recommended Tightening Torque:
8~10 Kgf.cm(0.78~0.98 N.m)
- * Gland Nut Recommended Tightening Torque:
8~10 Kgf.cm(0.78~0.98 N.m)
- * Seal For Cable OD: $\varnothing 4.5\sim\varnothing 6.5\text{mm}$, Blue.
 $\varnothing 6.5\sim\varnothing 8.5\text{mm}$, Yellow.
 $\varnothing 8.5\sim\varnothing 10.5\text{mm}$, Green .
 $\varnothing 10.5\sim\varnothing 11.5\text{mm}$, Red.
- * Screws for Wire connection recommended tightening torque: 2.00~4.50 kgf.cm / 0.196~0.44 N.m
- * Applicable Wire gauge: 18AWG~12AWG(2~4 pole)
18AWG~14AWG(5 pole)
- * UL2238 Certification

Pole Assignments Front View				
	2 Pole	3 Pole	4 Pole	5 Pole

UNIT:mm		TITLE UL12 Cable Joiner Screw-in Type	
TOLERANCE $\pm 0.5\text{mm}$	SCALE 1:1	SIZE A4	SHEET 2 OF 2
	REV. C	WC-REV. A.3	Inspection item

Amphenol LTW
安費諾亮泰企業股份有限公司

ITEM NO	DRAWN BY	DATE
	Lingpeng	2019-03-14
DWG NO	CHECKED BY	DATE
SC-L-UL12-XX-XX	MaFei	2019-03-14
CUSTOMER	APPROVED BY	DATE
ALTW	Jerry	2019-03-14