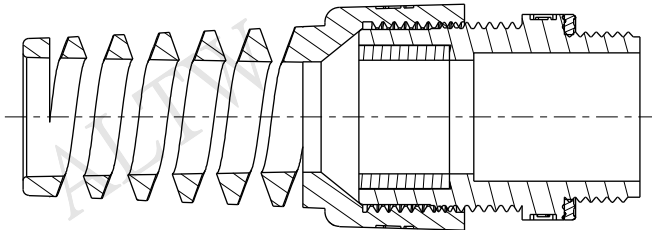
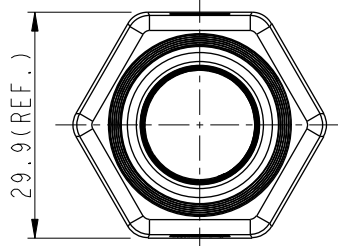
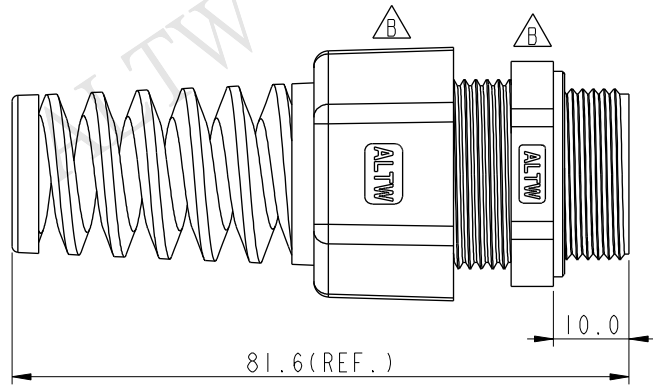
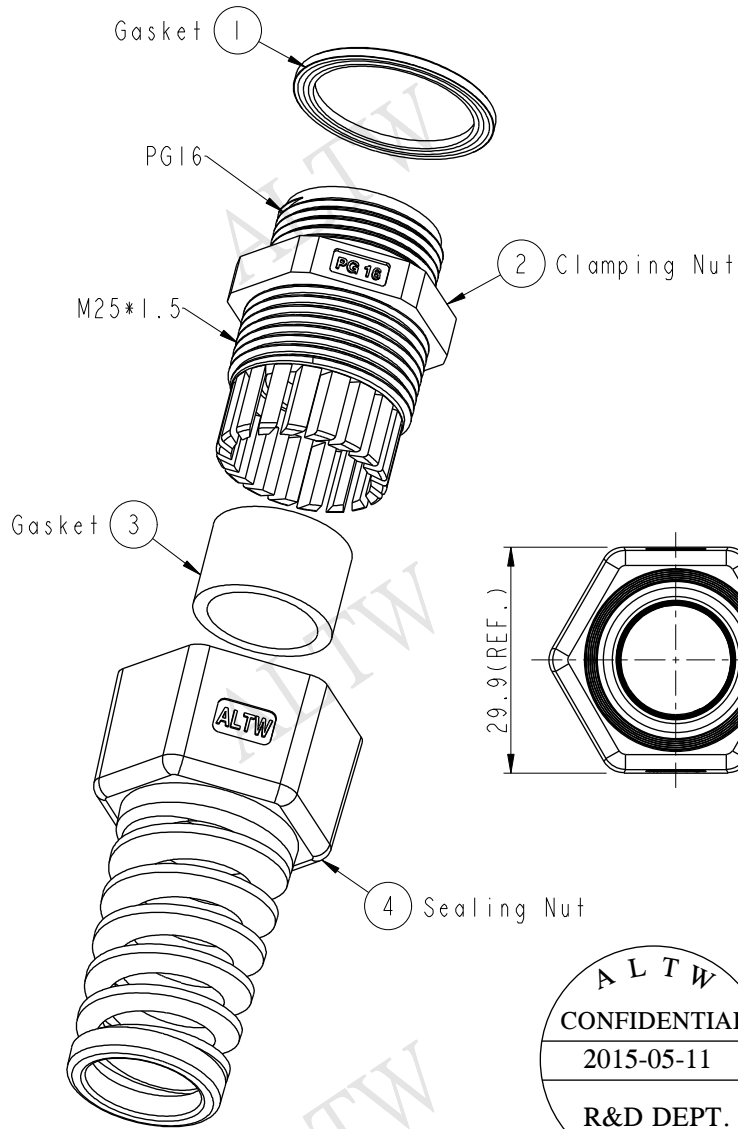
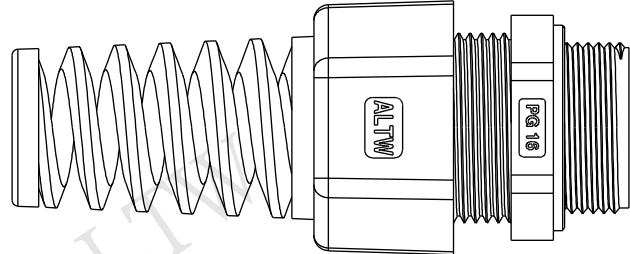
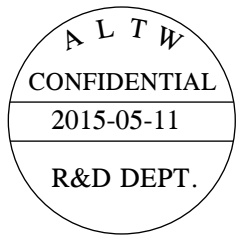
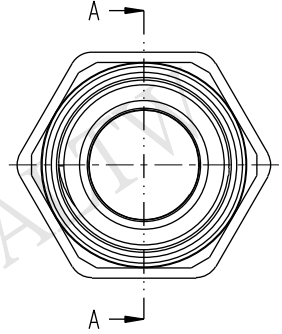


REV.	ECN NO.	DATE	SIGN	DESCRIPTION
B	LEN1560095	2015/05/11	Ruru	Change Logo



Section A-A



Note:  
 \* Waterproof Rate: IP68  
 \* Clamp Ring: Nylon, Black  
 \* Sealing Nut: Nylon, Black  
 \* Gasket: EPDM, Black  
 \* Seals: EPDM, Black  
 \* Cable Range:  $\varnothing 10.0 \sim \varnothing 14.0$ mm  
 \* Spanner Size:  
   Body: 27.2mm  
   Screw Nut: 29.0mm

UNIT: mm		TITLE Cable Gland for PG16 W/R, Black (Short)			ITEM NO CSG-16G008		DRAWN BY Ruru		DATE 2015-05-11	
		TOLERANCE .X $\pm 0.25$ .XX $\pm 0.1$ .XXX $\pm 0.05$ ANGLES $\pm 1^\circ$			SCALE 1:1	SIZE A4	SHEET 1	OF 1	DWG NO CSG-16G008	
		REV. B	WC-REV. A.1	Inspection item		CUSTOMER ALTW		APPROVED BY Lion		DATE 2015-05-11

**Amphenol LTW**  
 安費諾亮泰企業股份有限公司

THIS DOCUMENT IS SUBJECT TO CHANGE WITHOUT NOTICE. IT IS CONFIDENTIAL AND A PROPERTY OF Amphenol LTW. DISCLOSURE TO THIRD PARTY HAS TO BE AUTHORIZED BY Amphenol LTW.