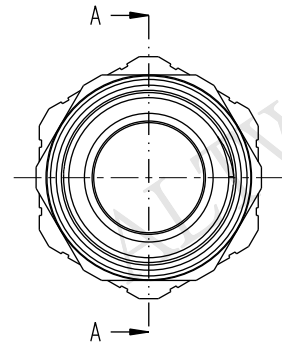
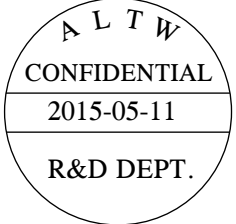
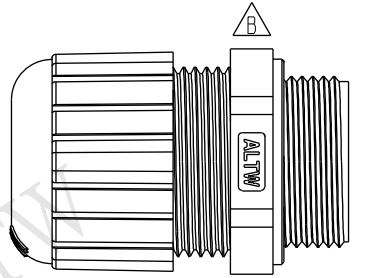
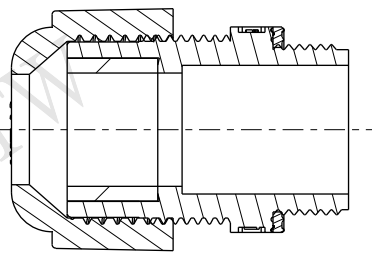
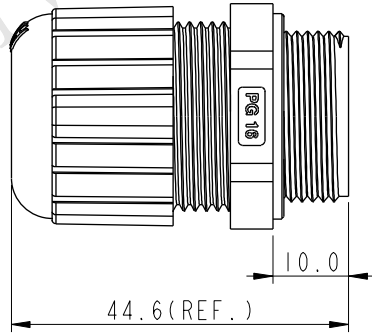
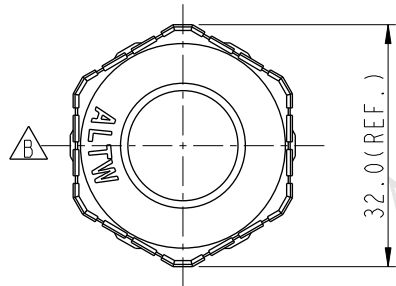
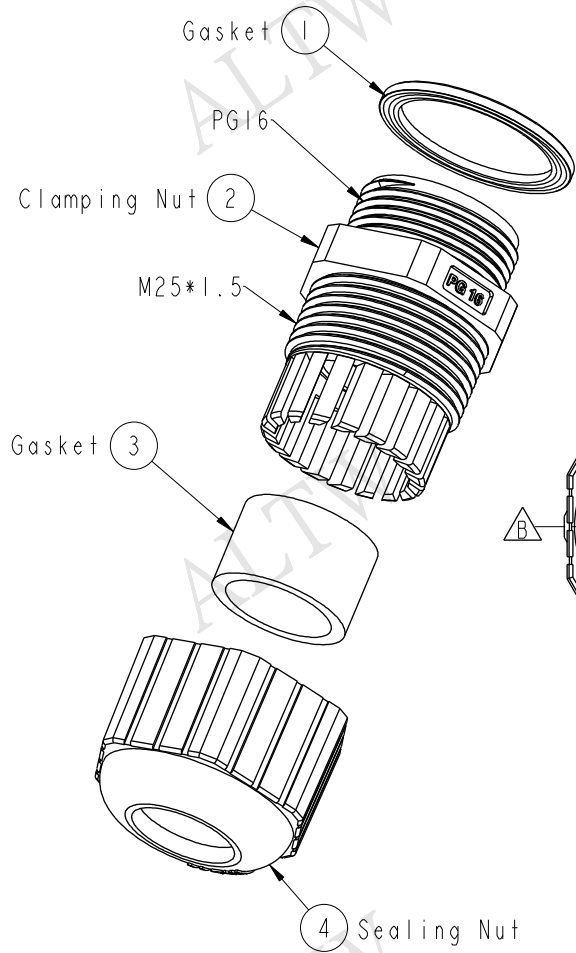


REV.	ECN NO.	DATE	SIGN	DESCRIPTION
B	LEN1560094	2015/05/11	Ruru	Change Logo



- Note:
- * Waterproof Rate: IP68
 - * Clamp Ring: Nylon, Black
 - * Sealing Nut: Nylon, Black
 - * Gasket: EPDM, Black
 - * Seals: EPDM, Black
 - * Cable Range: $\varnothing 10.0\text{mm} \sim \varnothing 14.0\text{mm}$
 - * Spanner Size:
 - Body: 27.2 mm
 - Screw Nut: 29.0mm

A	UNIT:mm			TITLE	Amphenol LTW		ITEM NO	CSG-16G006	DRAWN BY	Ruru	DATE	2015-05-11	
	TOLERANCE	.X ± 0.25	.XX ± 0.1	.XXX ± 0.05	ANGLES $\pm 1^\circ$	SCALE	1:1	SIZE	A4	SHEET	1	OF	1
	REV.	B	WC-REV.	A.1	QC: Inspection item		CUSTOMER	ALTW	APPROVED BY	Lion	DATE	2015-05-11	

THIS DOCUMENT IS SUBJECT TO CHANGE WITHOUT NOTICE. IT IS CONFIDENTIAL AND A PROPERTY OF AMPHENOL LTW. DISCLOSURE TO THIRD PARTY HAS TO BE AUTHORIZED BY AMPHENOL LTW.