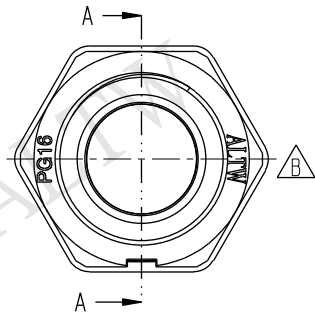
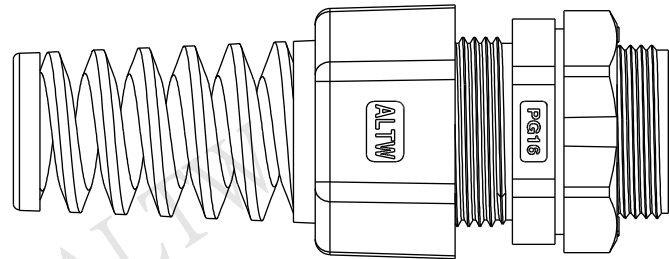
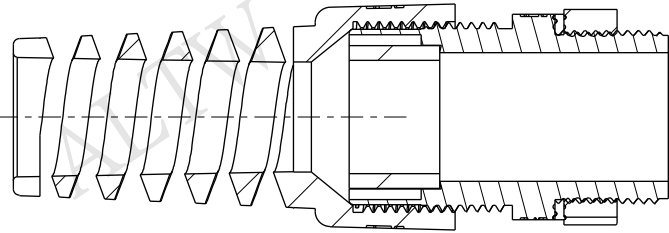
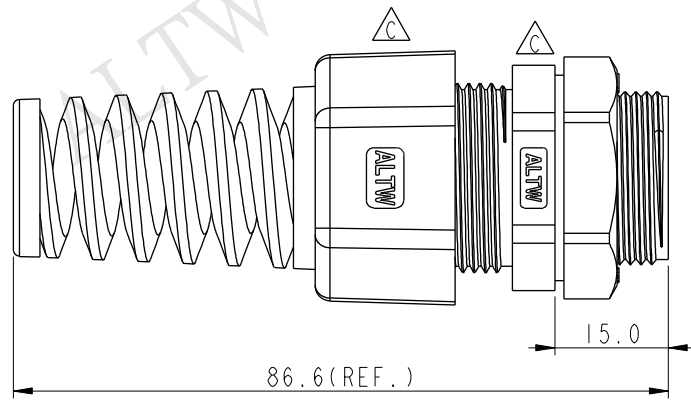
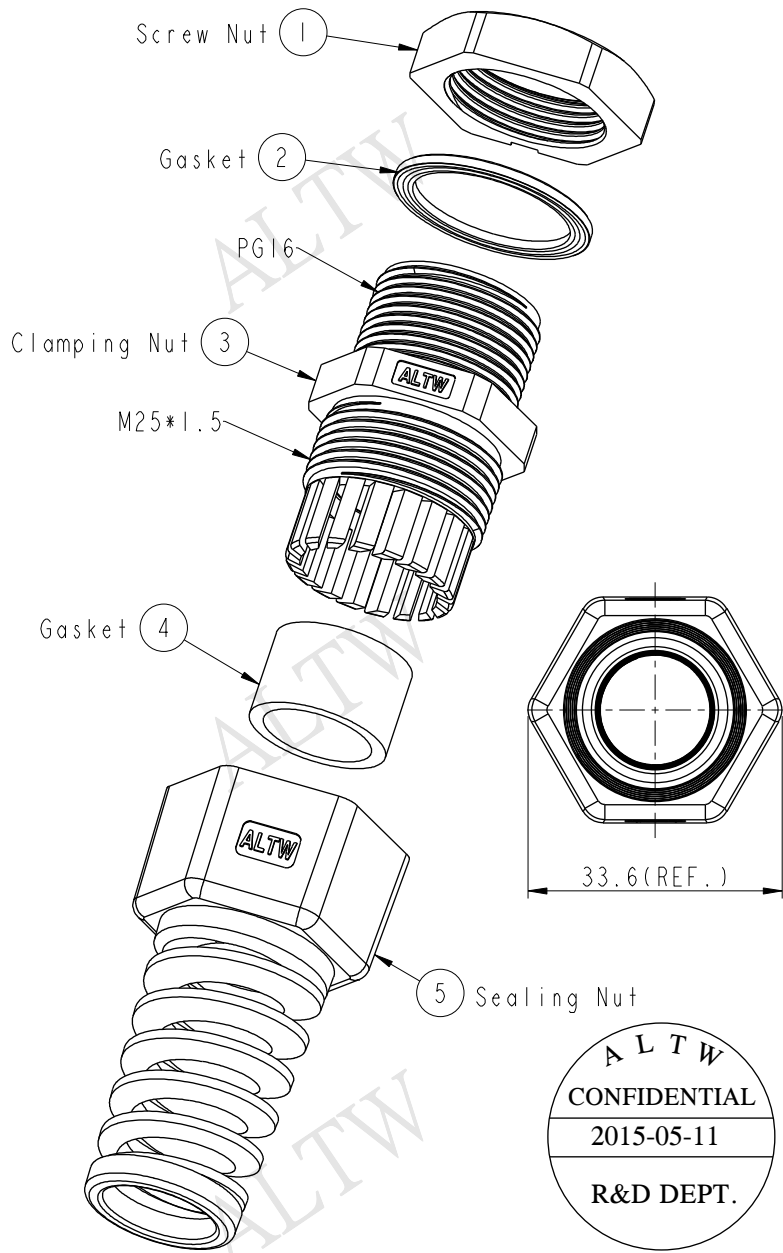


REV.	ECN NO.	DATE	SIGN	DESCRIPTION
B	LEN14C0292	2014/12/03	Ruru	Change Nut Logo
C	LEN1560092	2015/05/11	Ruru	Change Logo



- Note:
- * Waterproof Rate: IP68
 - * Screw Nut: Nylon, Gray
 - * Clamp Ring: Nylon, Gray
 - * Sealing Nut: Nylon, Gray
 - * Gasket: EPDM, Black
 - * Seals: EPDM, Black
 - * Cable Range: $\varnothing 10.0 \sim \varnothing 14.0$ mm
 - * For Panel Thickness: 6.0mm max
 - * Spanner Size:
 - Body: 27.2mm
 - Sealing Nut: 29.9mm
 - Screw Nut: 28.5mm

UNIT: mm			TITLE			ITEM NO	DRAWN BY	DATE		
			Cable Gland for PG16 W/R, Gray (Long)			CSG-16G004	Ruru	2015-05-11		
TOLERANCE	.X	±0.25	SCALE	1:1	SIZE	A4	SHEET	1	OF	1
	.XX	±0.1	REV.	C	WC-REV.	A.1	◎: Inspection item			
	.XXX	±0.05				DWG NO	CHECKED BY	DATE		
ANGLES	±1°					CSG-16G004	Rita	2015-05-11		
Amphenol LTW 安費諾亮泰企業股份有限公司						CUSTOMER	APPROVED BY	DATE		
						ALTW	Lion	2015-05-11		

THIS DOCUMENT IS SUBJECT TO CHANGE WITHOUT NOTICE. IT IS CONFIDENTIAL AND A PROPERTY OF Amphenol LTW. DISCLOSURE TO THIRD PARTY HAS TO BE AUTHORIZED BY Amphenol LTW.